

Product Declaration Certificate

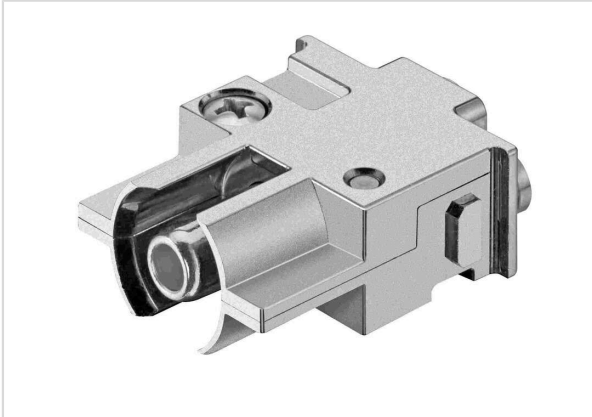


Image is for illustration purposes only. Please refer to product description.

| | |
|--------------------|---|
| Part number | 09 14 001 3072 |
| Specification | Han PE-module male crimp 16qmm |
| HARTING eCatalogue | https://harting.com/09140013072 |

| | |
|--------------------------------------|--|
| RoHS | compliant with exemption |
| RoHS exemptions | 6(c): Copper alloy containing up to 4 % lead by weight |
| ELV status | compliant with exemption |
| China RoHS | 50 |
| REACH Annex XVII substances | Not contained |
| REACH ANNEX XIV substances | Not contained |
| REACH SVHC substances | Yes |
| REACH SVHC substances | Lead |
| ECHA SCIP number | 5dbb3851-b94e-4e88-97a1-571845975242 |
| California Proposition 65 substances | Yes |
| California Proposition 65 substances | Lead Nickel |

RoHS: Directive 2011/65/EU with all amending directives and regulations in force at the declaration's creation date.

ELV status: Directive 2000/53/EC with all amending directives and regulations in force at the declaration's creation date.

REACH ANNEX: Regulation (EU) No. 1907/2006 with all amending directives and regulations in force at the declaration's creation date.

REACH SVHC substances: We applied "Candidate List of substances of very high concern for Authorisation" of ECHA valid on the declaration's creation date.

ECHA SCIP: Article notification number in the SCIP Data base of the European Chemicals Agency (ECHA) according to Waste Frame Directive 2008/89/EC with amended directive 2018/851 in Article 9