

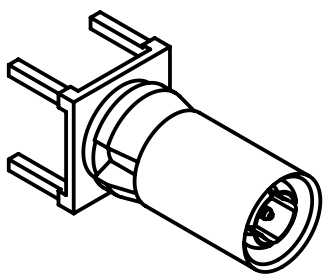
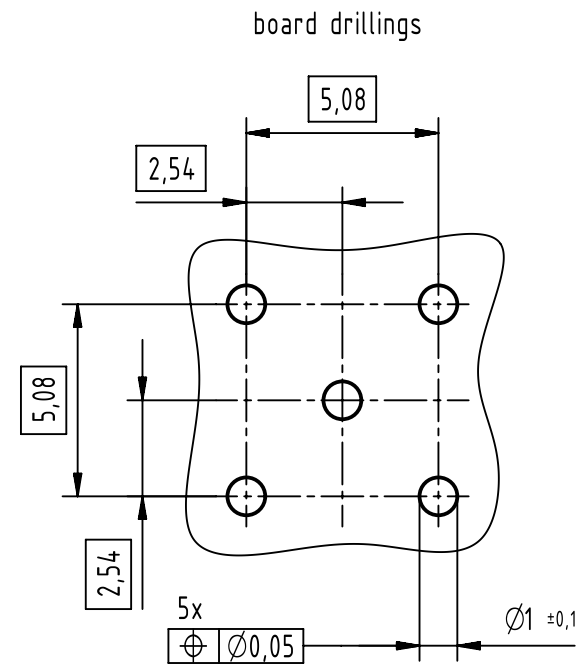
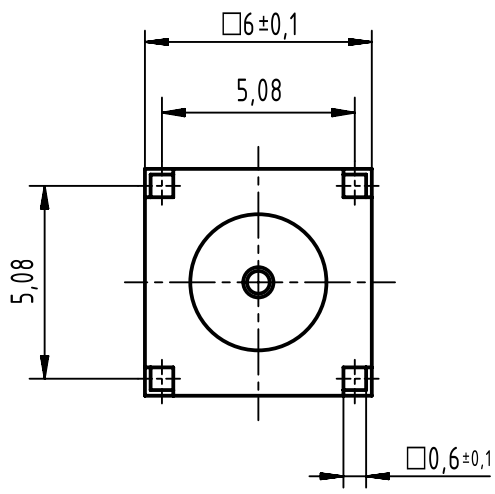
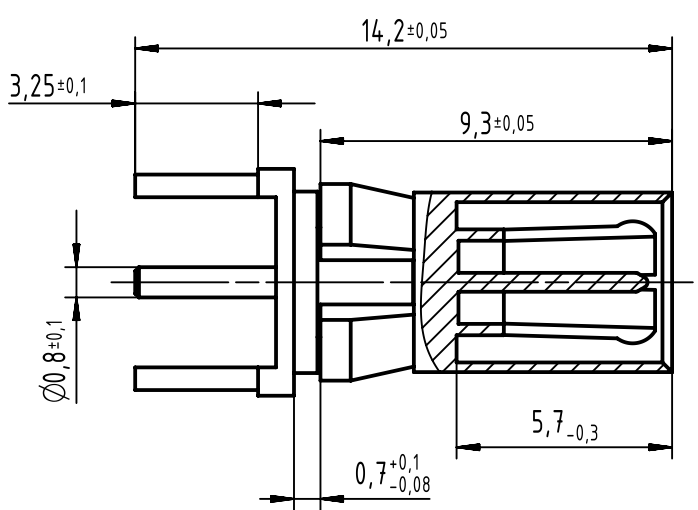
1 2 3 4 5 6


A

B

C

D



	All rights reserved Department EC PD - DE	All Dimensions in mm Original Size DIN A4			Scale 5:1	Free size tol. complementary DIN 41626-2	Ref. Sub. TB 09 03 000 6182 33607 24.05.06
		Created by ELLERMANN	Inspected by DAHMS	Standardisation HOFFMANN	Date 2013-12-18	State Final Release	
HARTING Electronics GmbH D-32339 Espelkamp		Title DIN Signal male contact coax 50 Ohm str solder flat				Doc-Key / ECM-Nr. 100072476/UGD/002/B 500000068957	
		Type TB	Number 09030006182			Rev. B	Page 1/1