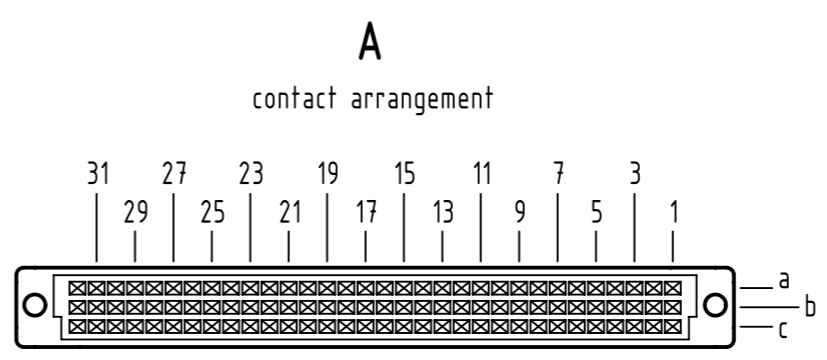
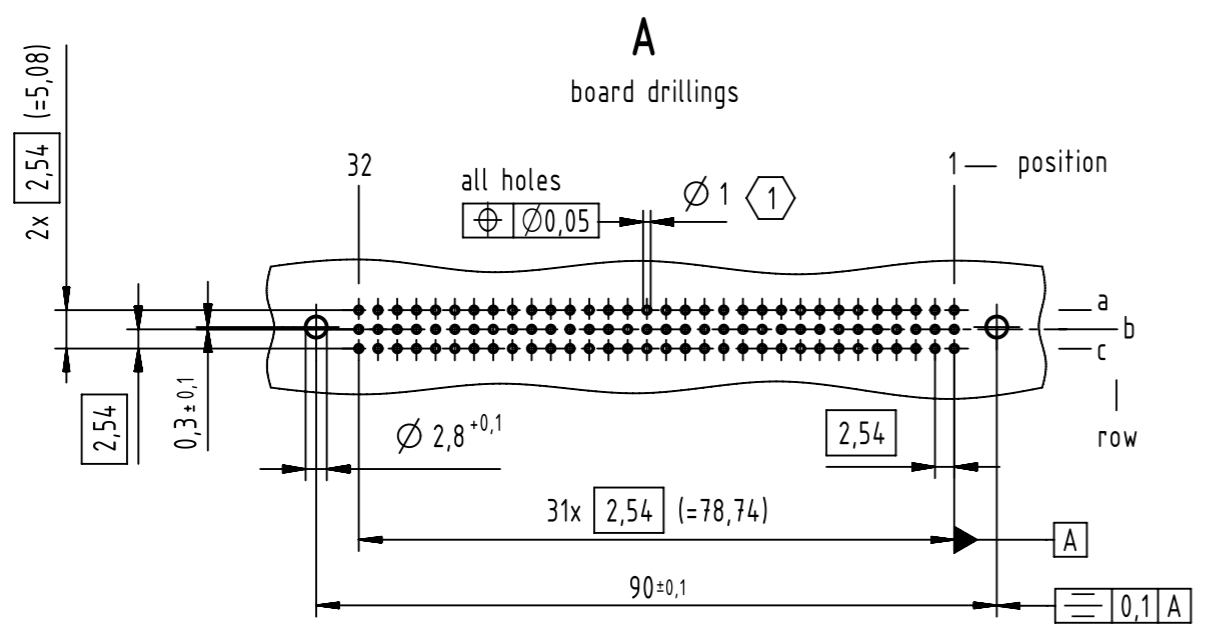


1 2 3 4 5 6 7 8

A  
B  
C  
D  
E  
F

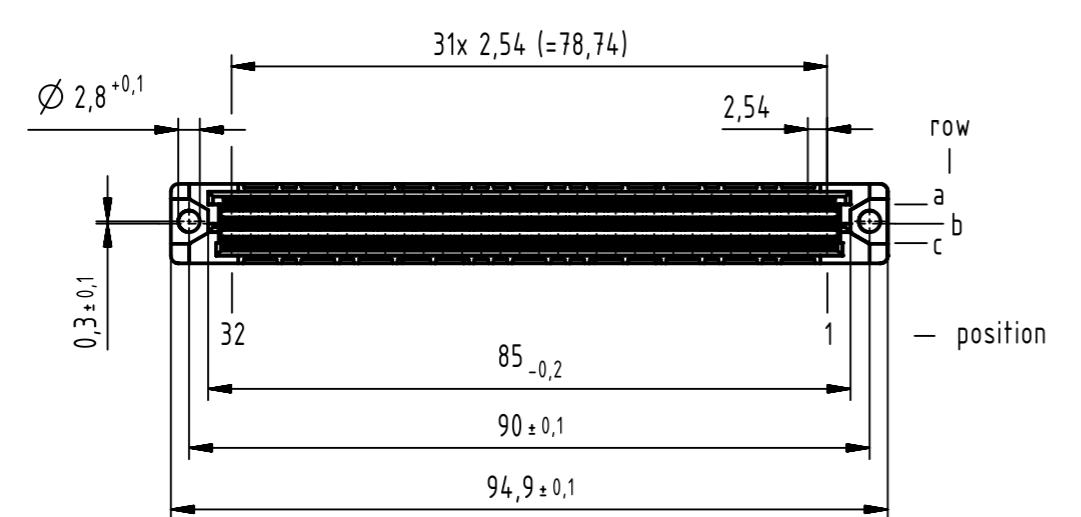
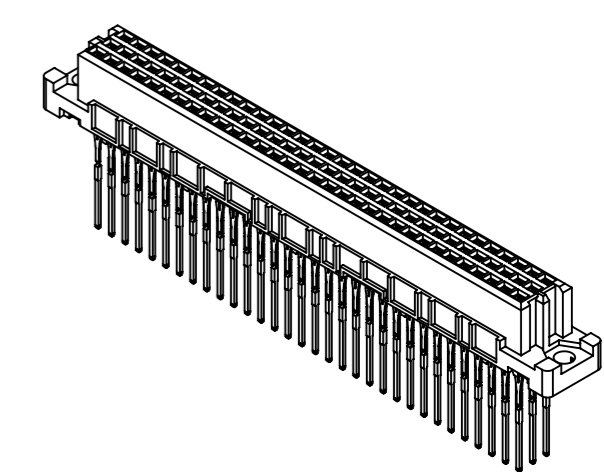
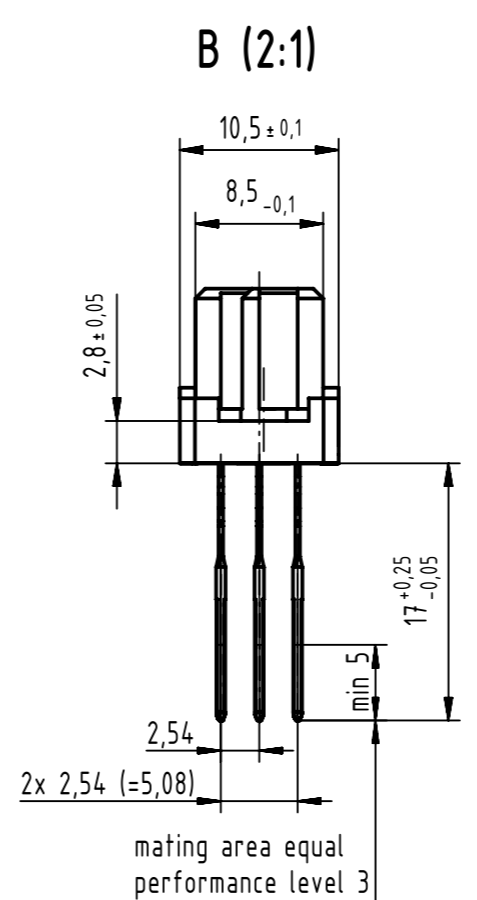
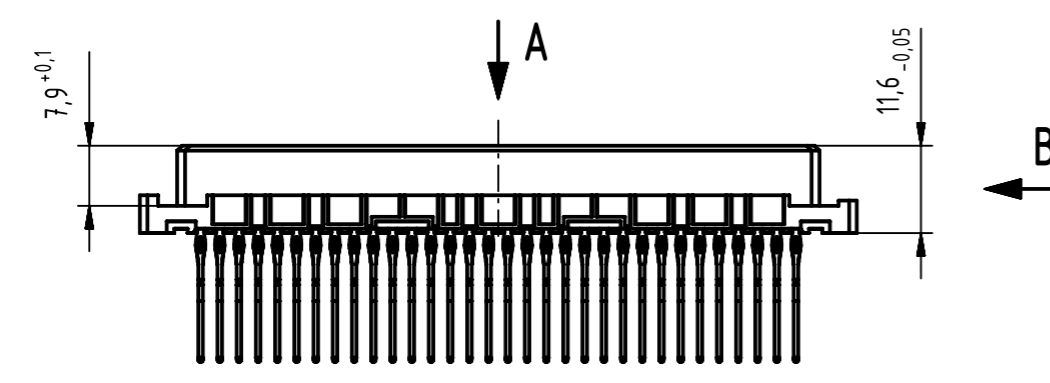
A  
B  
C  
D  
E  
F



96 press-in contacts

⊗ = position with contact

□ = position without contact



$\text{①}$  recommended configuration of plated through holes and further information see: DS 09032100001

09 03 296 6862	2
part-no	performance level $\text{①}$

	All rights reserved	Created by	Inspected by	Standardisation	Date	State
	Department EC PD - DE	STORCK	LEHNERT	KOHLER	2016-05-20	Final Release
HARTING Electronics GmbH D-32339 Espelkamp		Title DIN Signal type C female press-in 17.0 96-pole			Doc-Key / ECM-Nr. 100173852/UGD/240/D 500000104358	
		Type	Number	Rev.	Page	
		TB	0903296X862	D	1/1	

1 2 3 4 5 6 7 8