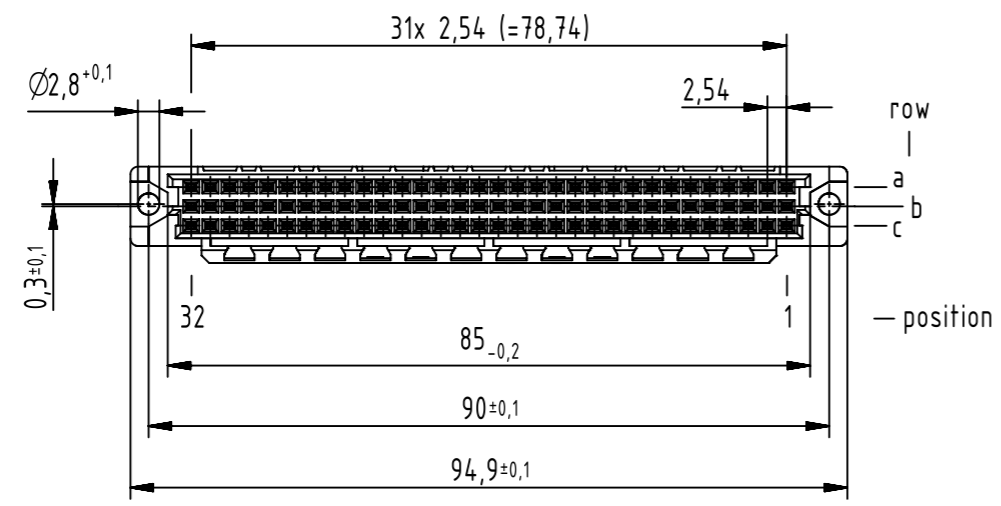
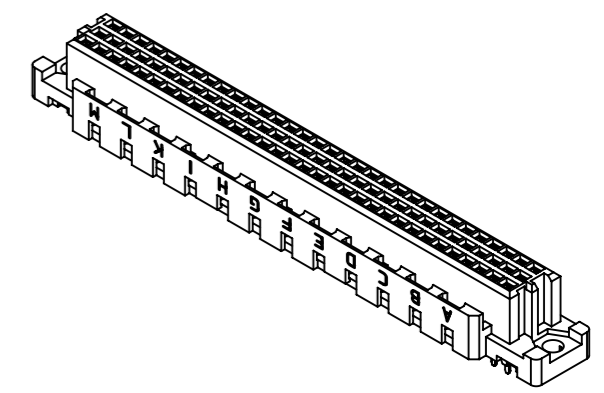
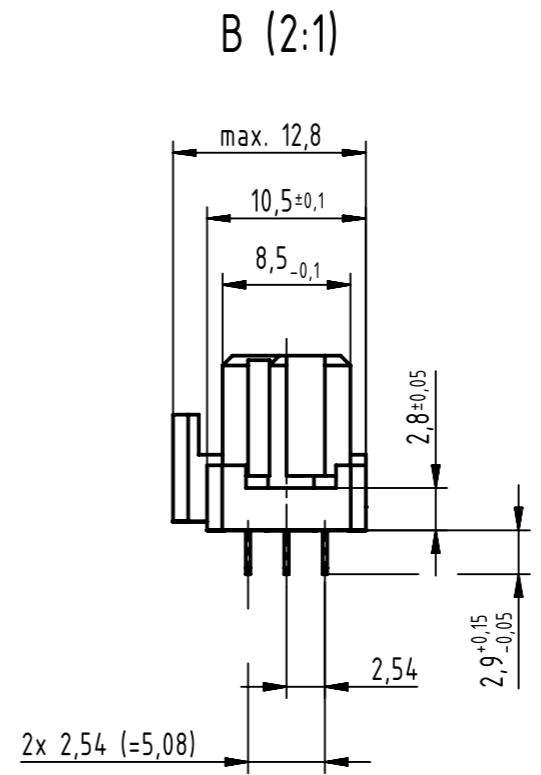
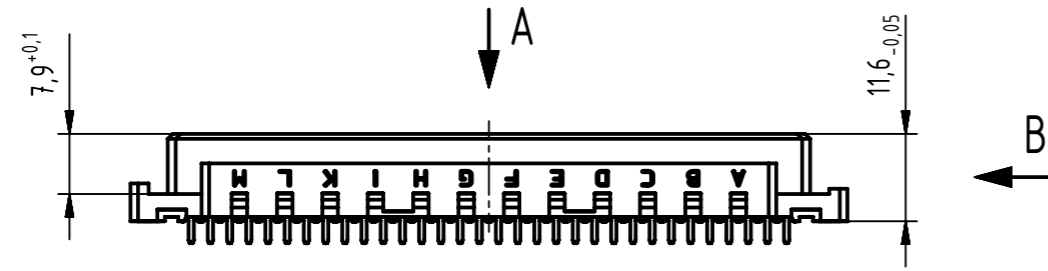


- 96 solder contacts
- ☒ = solder contact
- = kinked solder contact
- = position without contact



09 03 796 6824	2
part no.	performance level 1

1 further information see: DS 09032100001

	All Dimensions in mm Original Size DIN A3		Scale 1:1	Free size tol. IEC 60603-2		Ref. Sub. TB 09 03 796 x824 Mod. 36400 v. 08.07.11	
	All rights reserved Department EL PD		Created by HAGEMEYERE	Inspected by TADJE	Standardisation HOFFMANN	Date 2013-11-11	State Final Release
HARTING Electronics GmbH D-32339 Espelkamp		Title DIN Signal type C female solder 2.9 with coding 96-pole				Doc-Key / ECM-Nr. 100173852/UGD/210/D 50000068354	
		Type TB	Number 0903796X824		Rev. D	Page 1/1	