

1

2

3

4

A

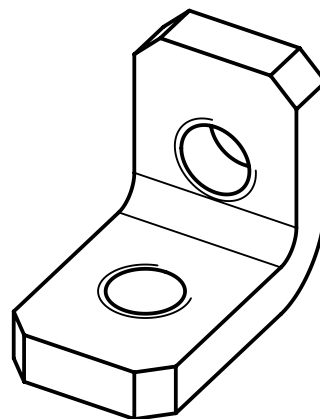
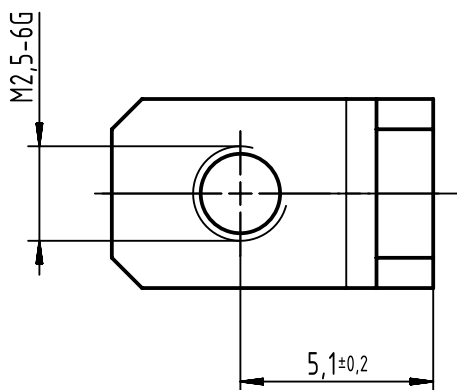
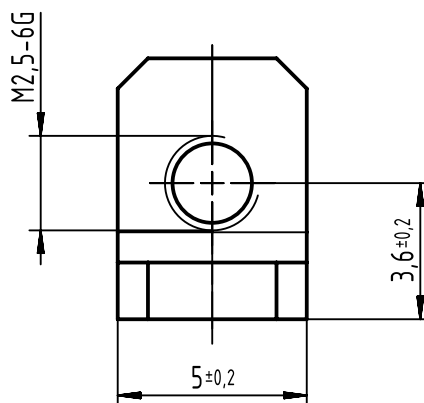
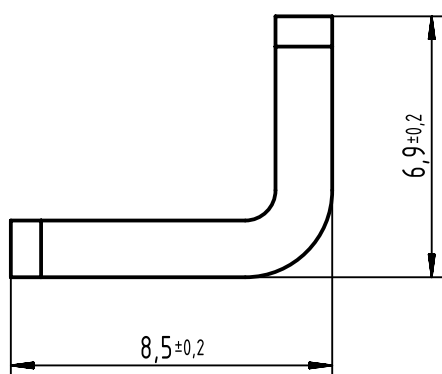
B

C

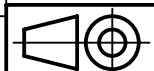
D

E

F



Tightening torque for fixing screws: 40Ncm



All Dimensions in mm
Original Size DIN A4

Scale
5:1

Free size tol.

Ref.

Sub.



All rights reserved

Department EC PD - DE

Created by
TADJE

Inspected by
ELLERMANN

Standardisation
KOHLER

Date
2017-08-14

State
Final Release

Title
fixing bracket for type F female

Doc-Key / ECM-Nr.
100083726/UGD/002/B
500000123812

HARTING Electronics GmbH
D-32339 Espelkamp

Type
TB

Number
09060009912

Rev.
B

Page
1/1