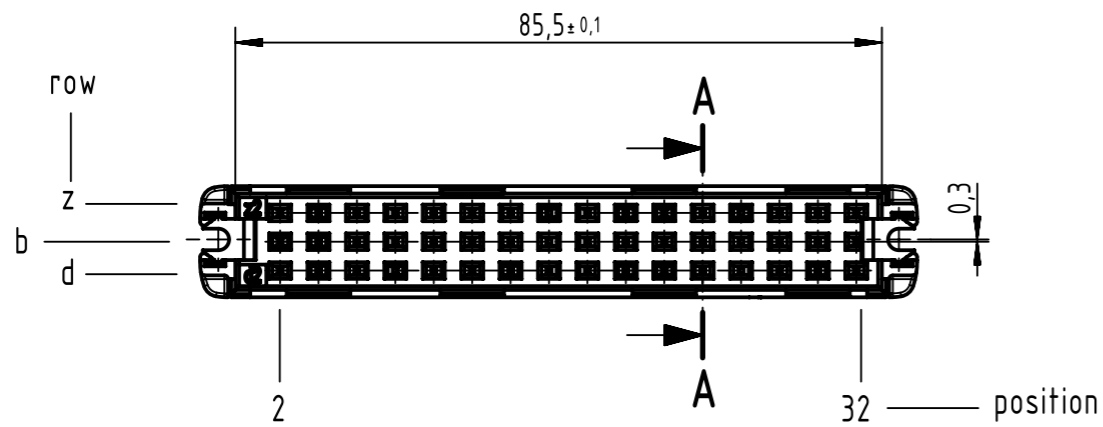
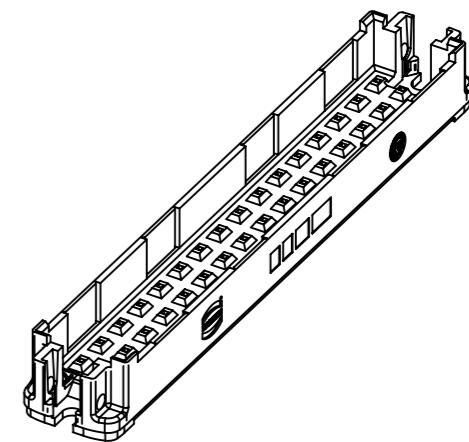
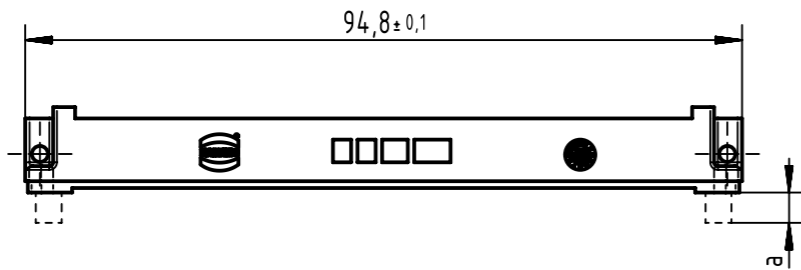
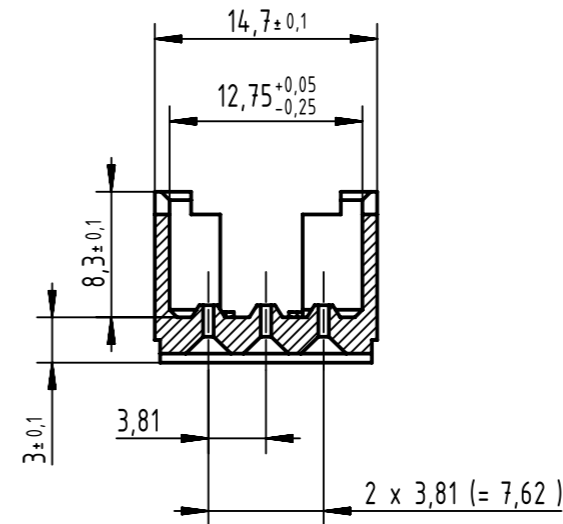


A-A (2:1) 90°



min. clearance and creepage

	clearance in mm	creepage in mm
contact-contact	3.0	3.1
contact-ground	3.7	3.5

09060029911	3.2-4.0	13mm ± 0.1	0	without standoff, screwing
09060029912	1.6-2.4	13mm ± 0.1	1.6	with standoff 1.6mm, screwing
number	PCB t ± 10%	contact length	a ± 0.1	remarks
		Scale 1:1	Free size tol.	Ref.
All rights reserved Department EL PD		Created by TADJE	Inspected by DAHMS	Standardisation HOFFMANN
HARTING Electronics GmbH D-32339 Espelkamp		Title DIN Power type F - shroud without locking lever		Date 2018-08-10
		Type TB	Number 0906002991X	State Final Release
				Doc-Key / ECM-Nr. 100519184/UGD/001/B 50000075686
				Rev. B Page 1/1