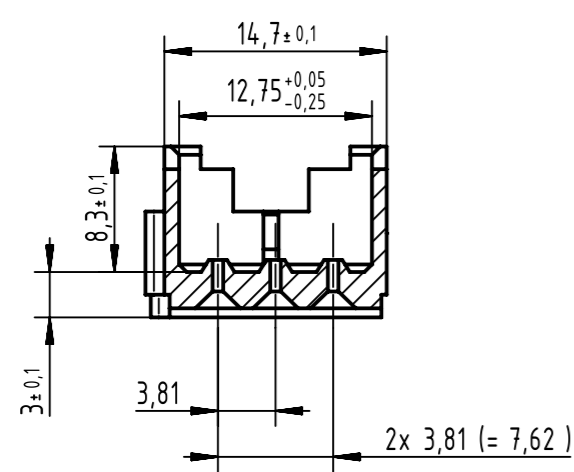
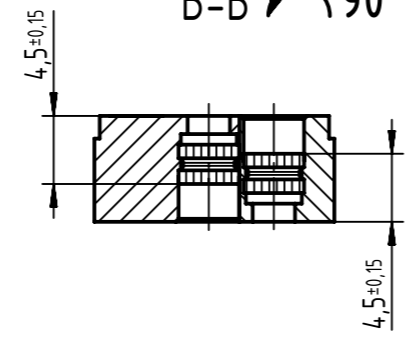


A-A (2:1) 90°



B-B 90°



min. clearance and creepage

	clearance in mm	creepage in mm
contact-contact	3.0	3.1
contact-ground	3.7	3.5

09060029921	3.2-4.0	13mm ± 0.1	0	without standoff, with insert nuts
09060029922	1.6-2.4	13mm ± 0.1	1.6	with standoff 1.6mm, with insert nuts
number	PCB t ± 10%	contact length	a ± 0.1	remarks
All Dimensions in mm Original Size DIN A3		Scale 1:1	Free size tol.	Ref. Sub. TB 0906002992X / 500000058389 / 2014-08-13
All rights reserved Department EL PD		Created by EIMERTENBRIN	Inspected by TADJE	Standardisation KOHLER
HARTING Electronics GmbH D-32339 Espelkamp		Title DIN Power type F - shroud with insert nuts		Date 2018-08-01 State Final Release
		Type TB	Number 0906002992X	Doc-Key / ECM-Nr. 100516237/UGD/001/B 500000075686 Rev. B Page 1/1