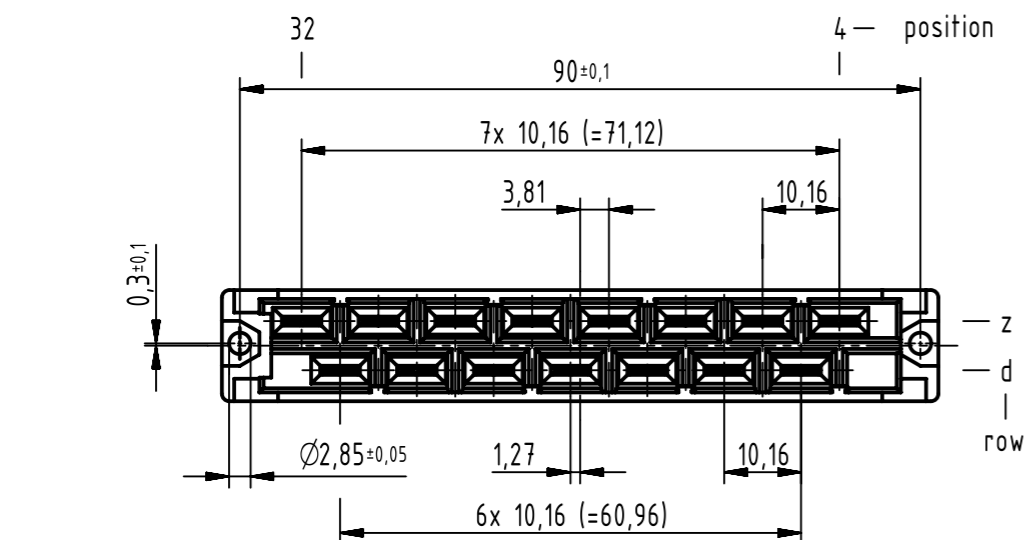
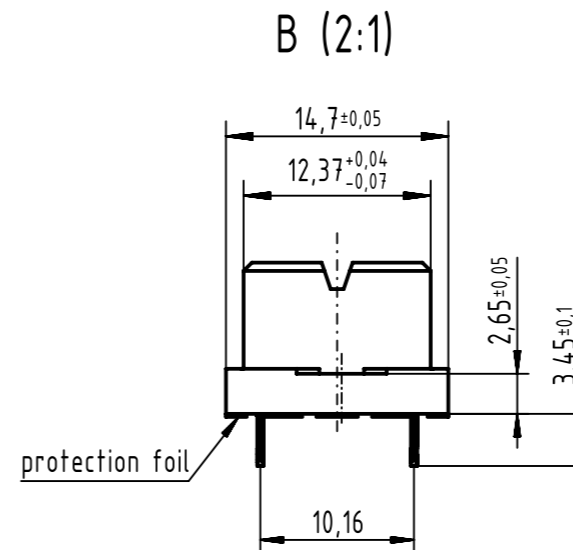
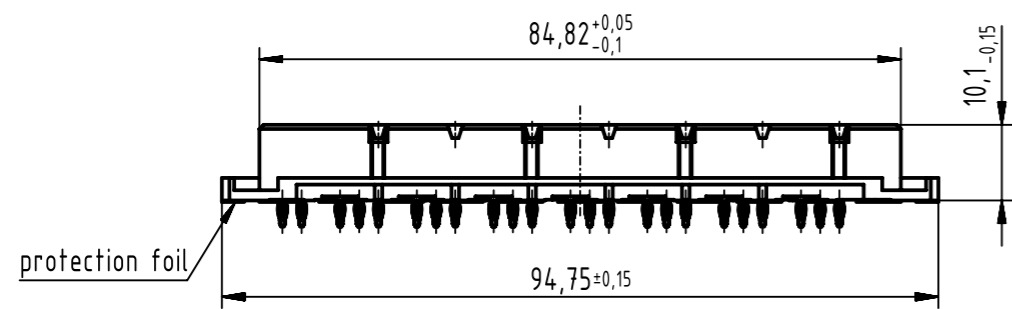
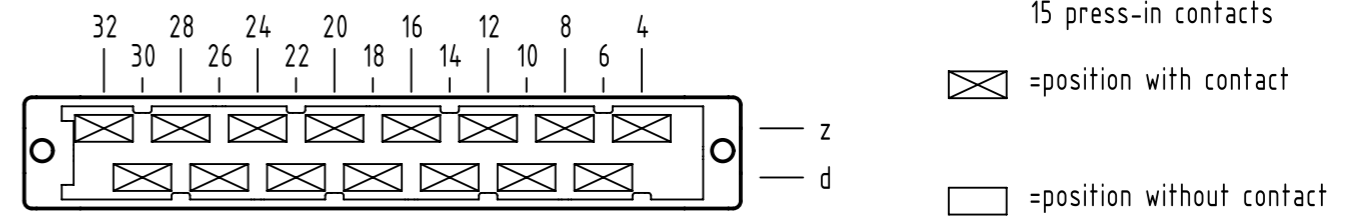
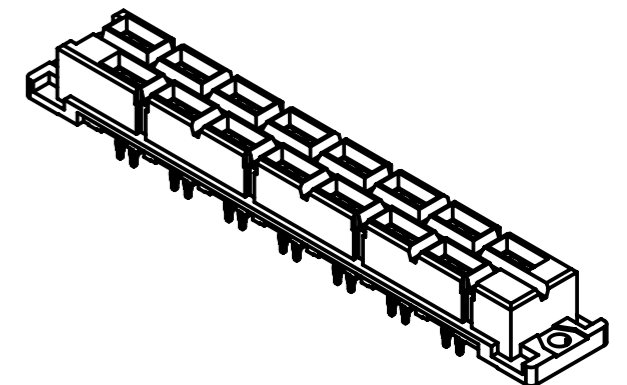


**A**  
contact arrangement



contact area plating Ag

1 recommended configuration of plated through holes and further information see: DS 09062100102



	All rights reserved Department EC PD - DE	Created by LEHNERT	Inspected by TADJE	Standardisation HOFFMANN	Date 2014-12-03	State Final Release	Ref. Sub. TB 09062152857 / 500000079598 / 2014-09-10
							Title DIN Power type H15 low-profile press-in 2.54 with foil
HARTING Electronics GmbH D-32339 Espelkamp		Type TB	Number 09062152857		Rev. B	Page 1/1	