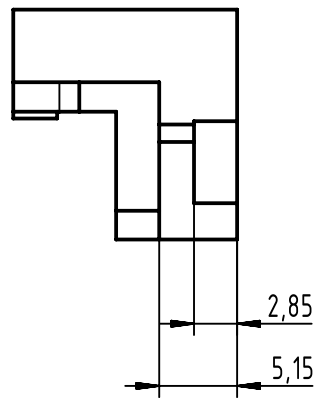
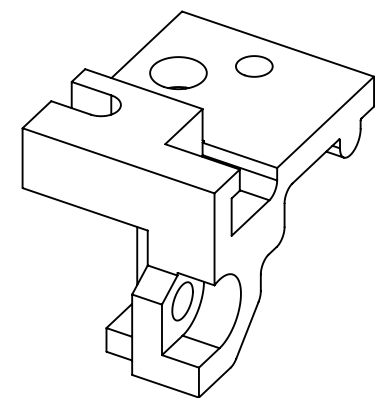
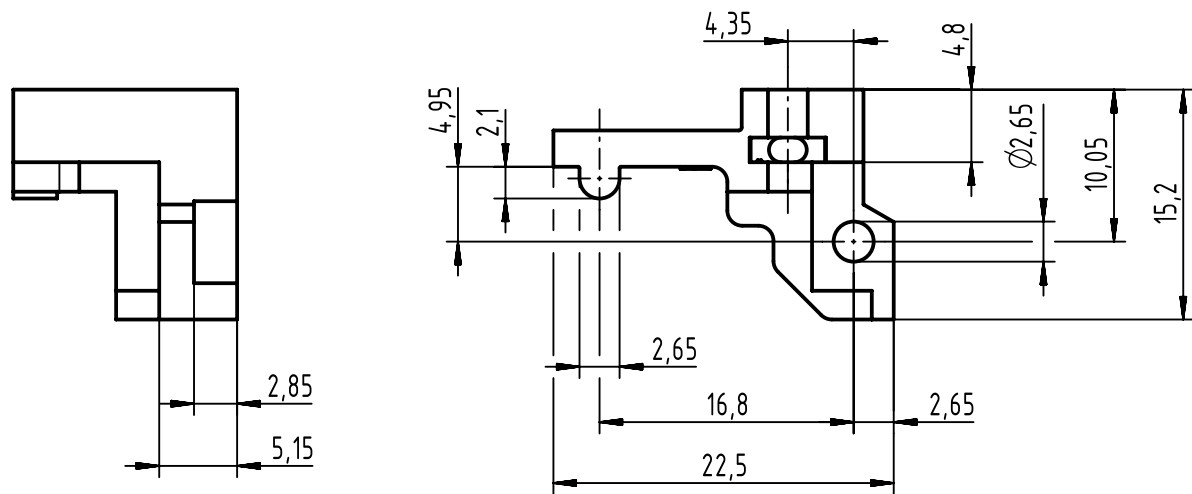
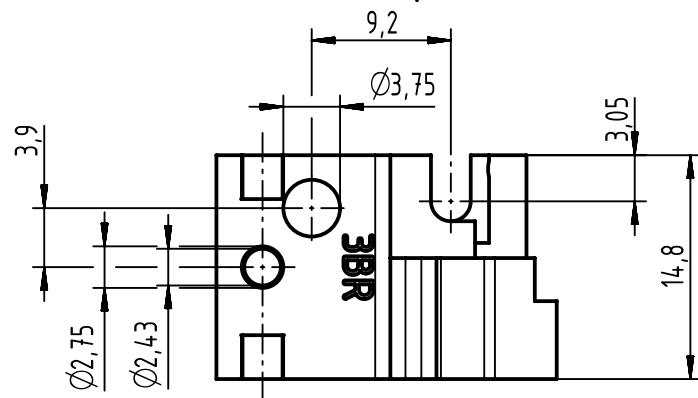



A

B

C

D



	All rights reserved Department EC PD - DE	All Dimensions in mm Original Size DIN A4		Scale 2:1	Free size tol.		Ref.	
		Created by KAHLERK	Inspected by ZWAHR	Standardisation HOFFMANN	Date 2017-03-17	State Final Release		
HARTING Electronics GmbH D-32339 Espelkamp		Title fixing bracket BR 15mm metallised					Doc-Key / ECM-Nr. 100106601/UGD/009/C 500000116938	
		Type TB	Number 09069009910			Rev. C	Page 1/1	