

A

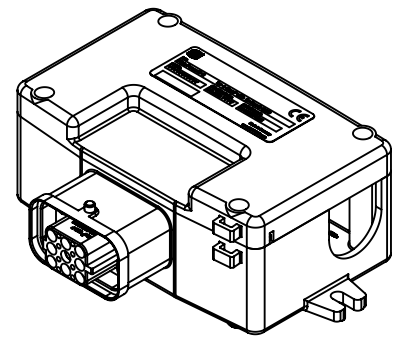
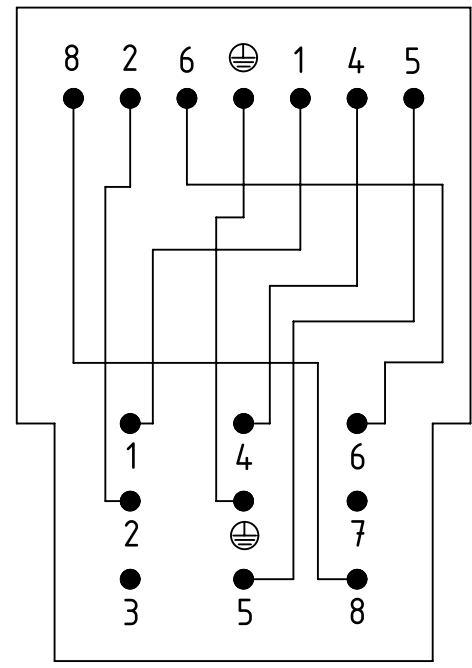
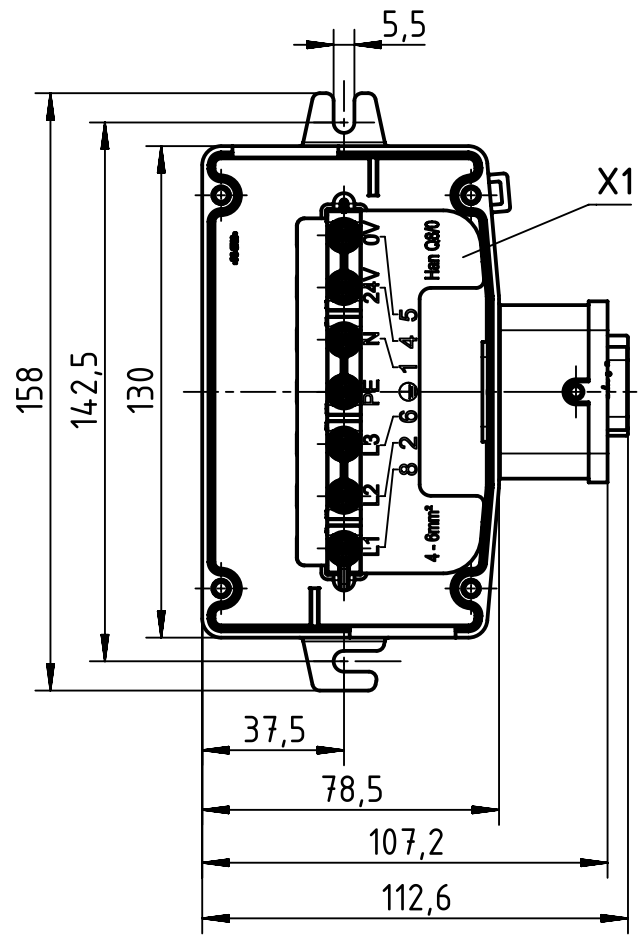
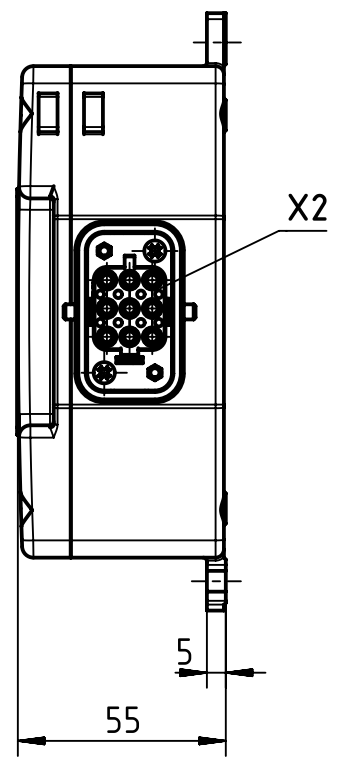
B

C

D

without cover

wiring plan



	All Dimensions in mm Original Size DIN A4		Scale 1:2	Free size tol.		Ref. Sub. TB 09 12 008 4811 v. 31.01.05	
		All rights reserved Department EL PD		Created by FINKEV	Inspected by RIEPE	Standardisation TIEMANNA	Date 2019-06-24
HARTING Electric GmbH & Co. KG D-32339 Espelkamp		Title Han-Power S with 1x Han Q8/0-F; 4-6 mm ²				Doc-Key / ECM-Nr. 100226600/UGD/002/B 500000153405	
		Type TB	Number 09 12 008 4811			Rev. B	Page 1/1