

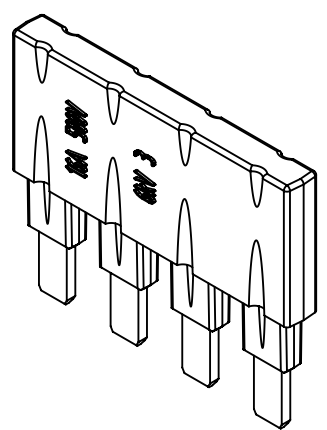
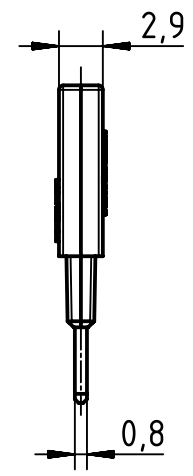
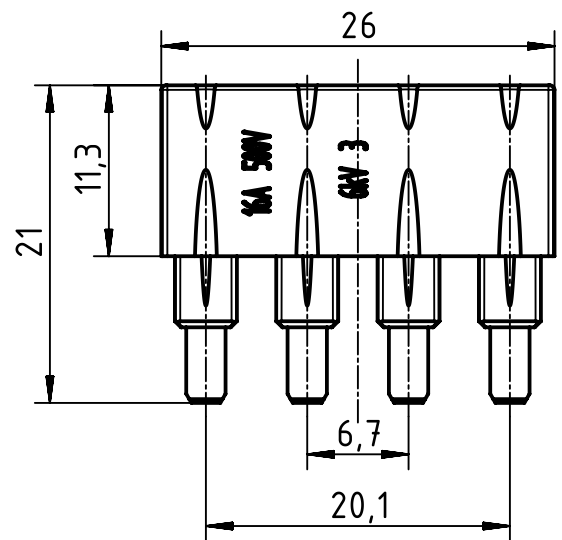
1 2 3 4 5 6

A

B

C

D



	All Dimensions in mm Original Size DIN A4		Scale 2:1	Free size tol.		Ref.	
						Sub.	
	All rights reserved Department EL PD - DE		Created by HELLMANN	Inspected by RIEPE	Standardisation RUETERA	Date 2018-05-24	State Final Release
	HARTING Electric GmbH & Co. KG D-32339 Espelkamp		Title Jumper Along 1x4 red 16A			Doc-Key / ECM-Nr. 100780415/UGD/000/A 500000135119	
			Type TB	Number 09 33 000 9832		Rev. A	Page 1/1