

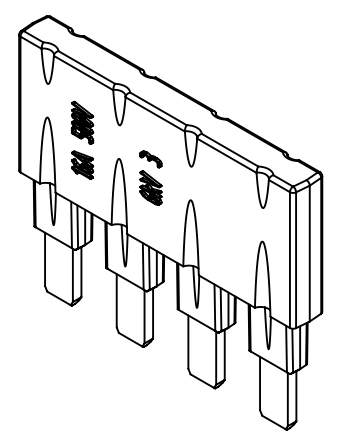
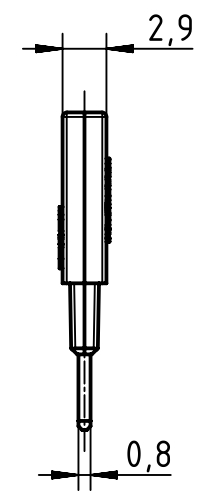
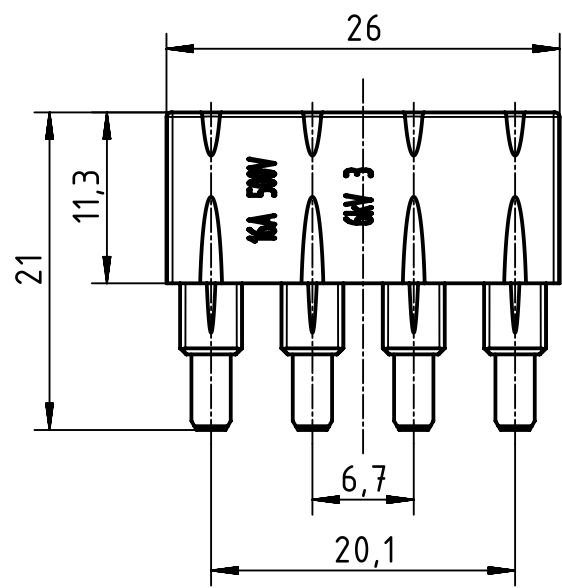
1 2 3 4 5 6


A

B

C

D



	All rights reserved Department EL PD - DE	All Dimensions in mm Original Size DIN A4		Scale 2:1	Free size tol.		Ref.		
		HARTING Electric GmbH & Co. KG D-32339 Espelkamp		Created by HELLMANN	Inspected by RIEPE	Standardisation RUETERA	Date 2018-05-24	State Final Release	
Title Jumper Along 1x4 blue 16A							Doc-Key / ECM-Nr. 100780416/UGD/000/A 500000135119		
Type TB				Number 09 33 000 9843			Rev. A	Page 1/1	