

1

2

3

4

A

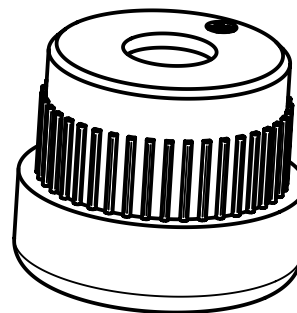
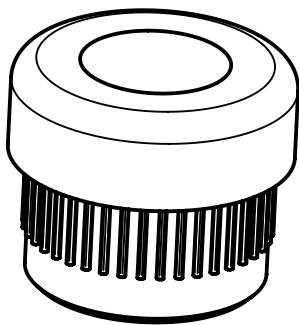
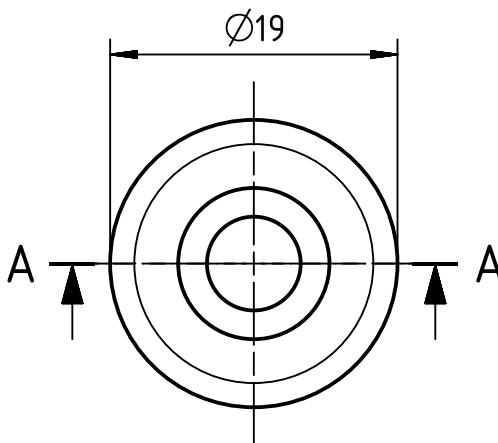
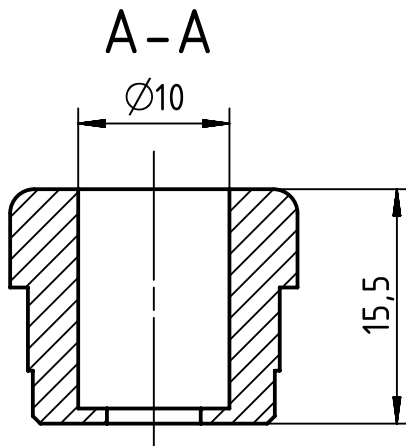
B

C

D

E

F



10PCS packaged in one bag

	All rights reserved Department EC PD - CN	All Dimensions in mm Original Size DIN A4	Scale 2:1	Free size tol.	Ref.	Sub.	
		HARTING Electronics GmbH D-32339 Espelkamp	Created by HUK	Inspected by WANGSTE	Standardisation HOFFMANN	Date 2017-06-01	State Final Release
		Title Han PP Power L seal 6-10mm (PPQ=10pcs)				Doc-Key / ECM-Nr. 100704669/UGD/004/A 500000120278	
		Type TB	Number 09350049908			Rev. A	Page 1/1