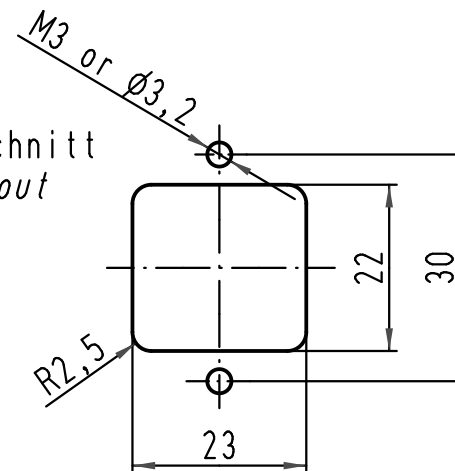
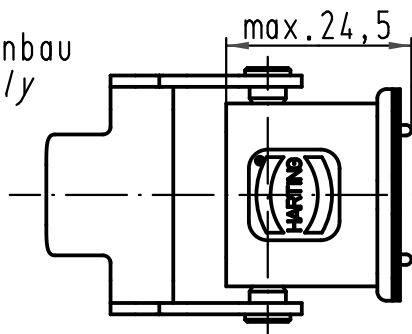


Montageausschnitt
panel cut out



A and B are reference planes on RJ45 jack.

Zusammenbau
assembly



All Dimensions in mm Original Size DIN A 4			Techn. Character.			Nicht tolerierte Masse/ Free size tolerances		
			Dat.	Name	Massstab/ Scale 1:1	HARTING RJ Industrial® RJ45 Hybrid M-Version black Wanddurchführungs-Set		
			Detail.	29/02/12				SD
			Insp.	29/02/12				JB
			Stand.					
36292	29/02/12	SD	HARTING EURL F-95972 Paris				TB 09 45 515 0027	
Mod.	Dat.	Name						Blatt/ page 1/1
						Sub.		