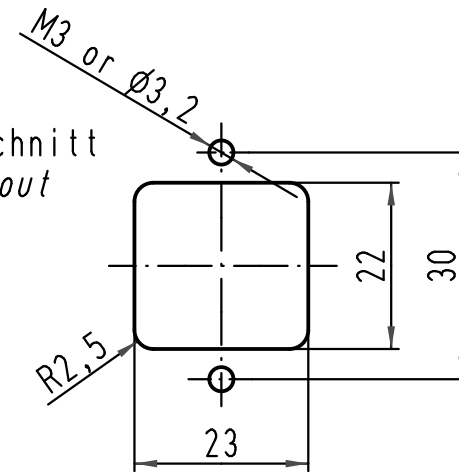
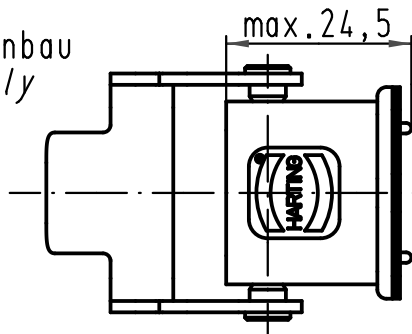


Montageausschnitt  
panel cut out



A and B are reference planes on RJ45 jack.

Zusammenbau  
assembly



All Dimensions in mm Original Size DIN A 4			Techn. Character.			Nicht tolerierte Masse/ Free size tolerances	
			Dat.	Name	Massstab/ Scale  1:1	<b>HARTING RJ Industrial® RJ45 Hybrid EMC-Version</b> Wanddurchführungs-Set	
		Detail.	29/02/12	SD			
		Insp.	29/02/12	JB			
		Stand.					
36292	29/02/12	SD	HARTING EURL F-95972 Paris			<b>TB 09 45 515 0028</b>	Blatt/ page 1/1
Mod.	Dat.	Name					