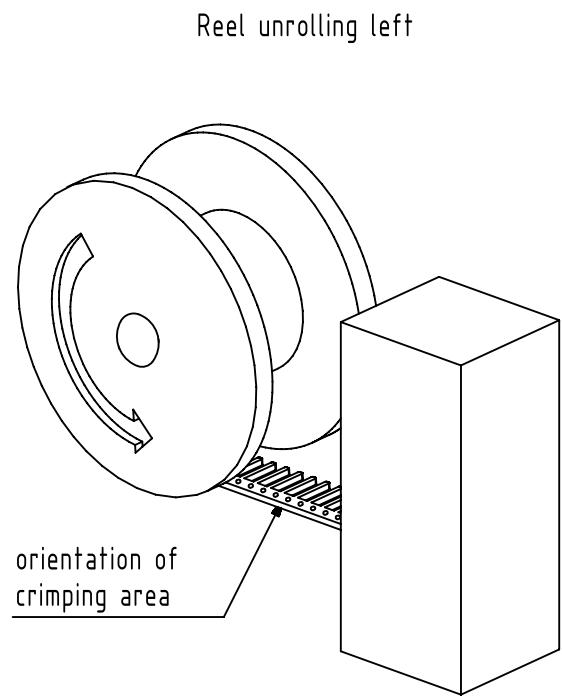
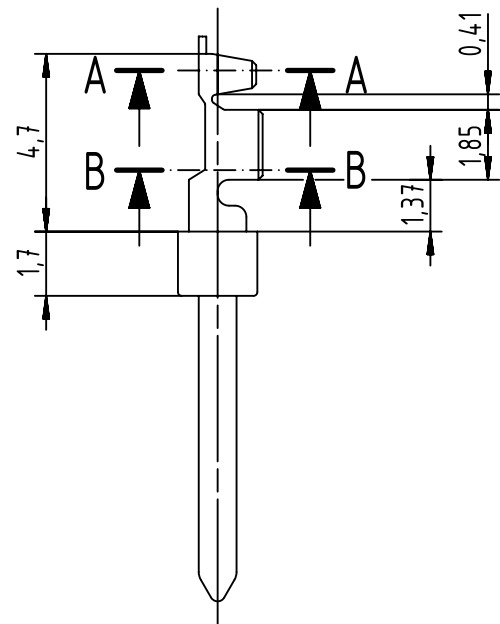
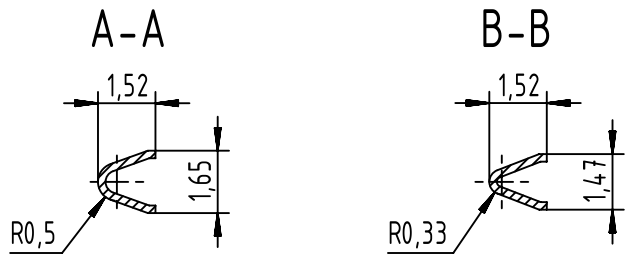
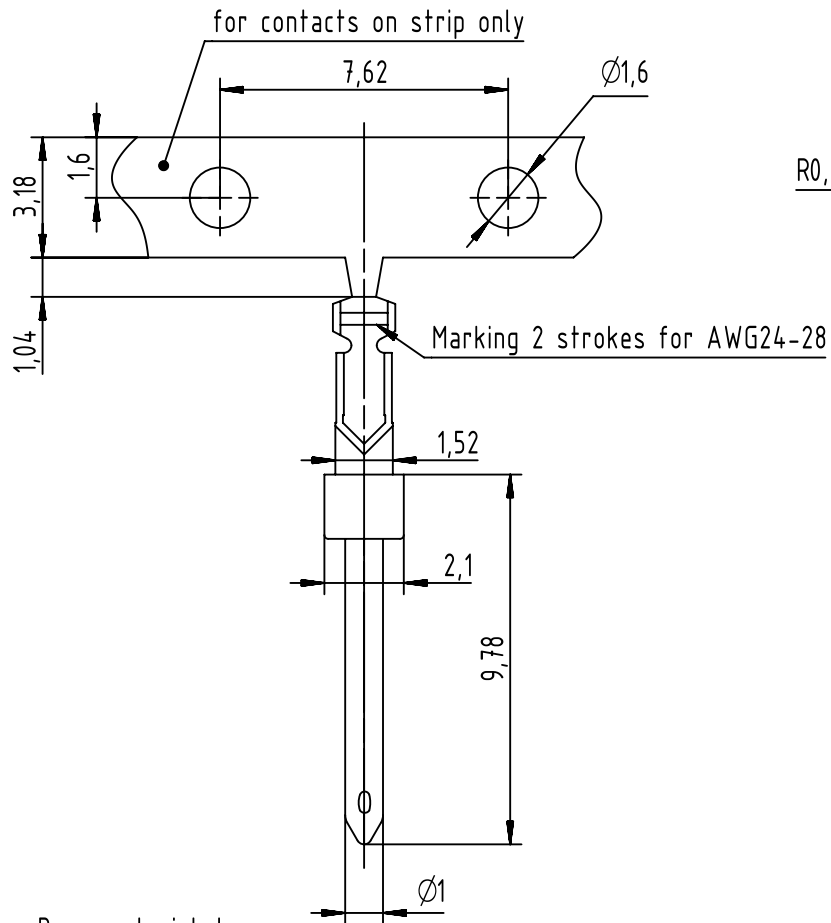


A
B
C
D



Base material: brass
 Plating: sliding contact selective plating over nickel
 nickel plated crimp area
 Number of contacts per reel: 10000

	All rights reserved Department EC PD - FR		All Dimensions in mm Original Size DIN A4		Scale 5:1	Free size tol.	Ref. Sub.
	HARTING Electronics GmbH D-32339 Espelkamp		Created by SONN	Inspected by BAGDIKIAN	Standardisation HOFFMANN	Date 2015-01-15	State Final Release
Title D-Sub, stamped male AWG 24-28 crimp contact			Type TB		Number 0967000715X		Doc-Key / ECM-Nr. 100607788/UGD/000/A 500000083329
Rev. A			Page 1/1				

09 67 000 7158	PL2	PdNi
09 67 000 7157	PL3	Flash Gold
09 67 000 7156	PL1	PdNi
Part number	Performance level	Plating