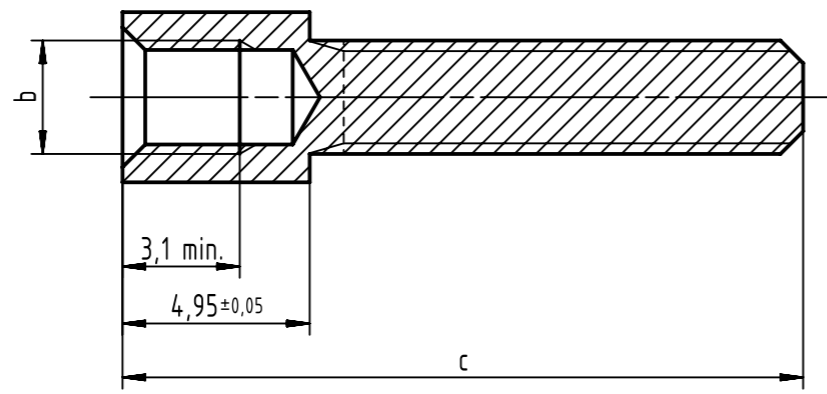
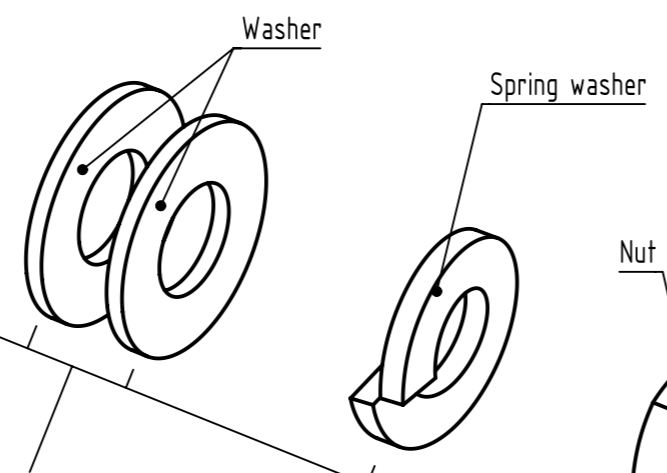
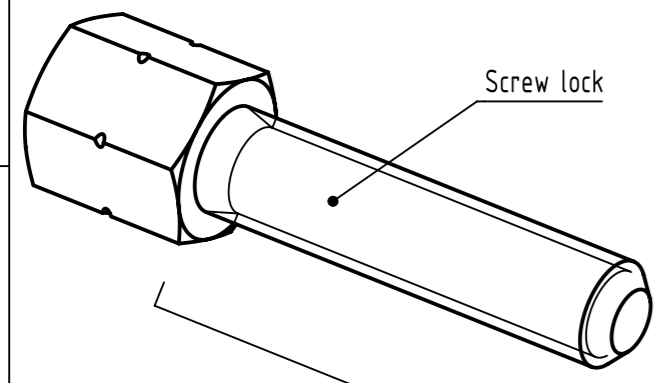
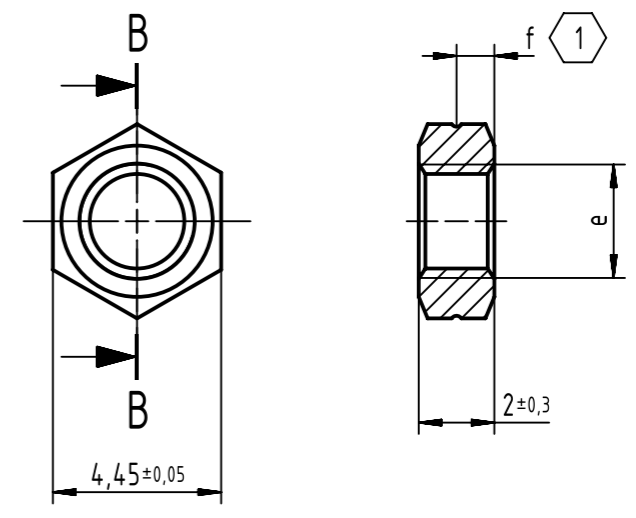


A-A



B-B




1 piece

① Special thread marking

	All rights reserved	Created by ZENGDO	Inspected by LUOK	Standardisation HOFFMANN	Date 2019-05-22	State Final Release
	Department EL PD	Title D-Sub female screw lock set with washer,			Doc-Key / ECM-Nr. 100798388/UGD/000/C 500000152404	
HARTING Electronics GmbH D-32339 Espelkamp		Type TB	Number 096700099YY		Rev. C	Page 1/2

1	2		3	4	5	6	7	8				
No.	Part Number	Product packaging	Set packaging		Further packaging	Outer thread a	Inner thread b	Total length c	d	Nut thread e	f	
A	1	09670009922	set	2 pcs= 2 screwlocks, 4 washer, 2 spring washer, 2 nut in a bag		50 sets in a bag =100 pcs	4-40 UNC	4-40 UNC	13	no	4-40 UNC	no
	2	09670009922580	big set	5000 pcs= 5000 screwlocks, 10000 washer, 5000 spring washer, 5000 nut, each in a bag		single bags in further bag =5000 pcs	4-40 UNC	4-40 UNC	13	no	4-40 UNC	no
	3	09670009924	set	2 pcs= 2 screwlocks, 4 washer, 2 spring washer, 2 nut in a bag		50 sets in a bag =100 pcs	M3	4-40 UNC	13	4,1	M3	1
	4	09670009924580	big set	5000 pcs= 5000 screwlocks, 10000 washer, 5000 spring washer, 5000 nut, each in a bag		single bags in further bag =5000 pcs	M3	4-40 UNC	13	4,1	M3	1
	5	09670009960	set	2 pcs= 2 screwlocks, 4 washer, 2 spring washer, 2 nut in a bag		50 sets in a bag =100 pcs	4-40 UNC	M3	13	0,9	4-40 UNC	no
	6	09670009961	set	2 pcs= 2 screwlocks, 4 washer, 2 spring washer, 2 nut in a bag		50 sets in a bag =100 pcs	M3	M3	13	2,5	M3	1
	7	09670009973	set	2 pcs= 2 screwlocks, 4 washer, 2 spring washer, 2 nut in a bag		50 sets in a bag =100 pcs	4-40 UNC	4-40 UNC	18	no	4-40 UNC	no
B	8	09670009973580	big set	5000 pcs= 5000 screwlocks, 10000 washer, 5000 spring washer, 5000 nut, each in a bag		single bags in further bag =5000 pcs	4-40 UNC	4-40 UNC	18	no	4-40 UNC	no
	9	09670009962	set	2 pcs= 2 screwlocks, 4 washer, 2 spring washer, 2 nut in a bag		50 sets in a bag =100 pcs	M3	4-40 UNC	18	4,1	M3	1
	10	09670009963	set	2 pcs= 2 screwlocks, 4 washer, 2 spring washer, 2 nut in a bag		50 sets in a bag =100 pcs	4-40 UNC	M3	18	0,9	4-40 UNC	no
	11	09670009964	set	2 pcs= 2 screwlocks, 4 washer, 2 spring washer, 2 nut in a bag		50 sets in a bag =100 pcs	M3	M3	18	2,5	M3	1
	12	09670009965	set	2 pcs= 2 screwlocks, 4 washer, 2 spring washer, 2 nut in a bag		50 sets in a bag =100 pcs	4-40 UNC	4-40 UNC	22	no	4-40 UNC	no
	13	09670009966	set	2 pcs= 2 screwlocks, 4 washer, 2 spring washer, 2 nut in a bag		50 sets in a bag =100 pcs	M3	4-40 UNC	22	4,1	M3	1
	14	09670009967	set	2 pcs= 2 screwlocks, 4 washer, 2 spring washer, 2 nut in a bag		50 sets in a bag =100 pcs	4-40 UNC	M3	22	0,9	4-40 UNC	no
C	15	09670009968	set	2 pcs= 2 screwlocks, 4 washer, 2 spring washer, 2 nut in a bag		50 sets in a bag =100 pcs	M3	M3	22	2,5	M3	1
	16											
	17											
	18											
	19											
	20											
	21											
D	22											
	23											
	24											
	25											
	26											
	27											
	28											
E	29											
	30											
	31											
	32											

 All rights reserved Department EL PD HARTING Electronics GmbH D-32339 Espelkamp					All Dimensions in mm Original Size DIN A3		Scale 5:1		Free size tol.		Ref. Sub.	
					Created by ZENGQ		Inspected by LUOK		Standardisation HOFFMANN		Date 2019-05-22	
					Title D-Sub female screw lock set with washer,				Doc-Key / ECM-Nr. 100798388/UGD/000/C 500000152404			
					Type TB		Number 096700099YY				Rev. C	
											Page 2/2	