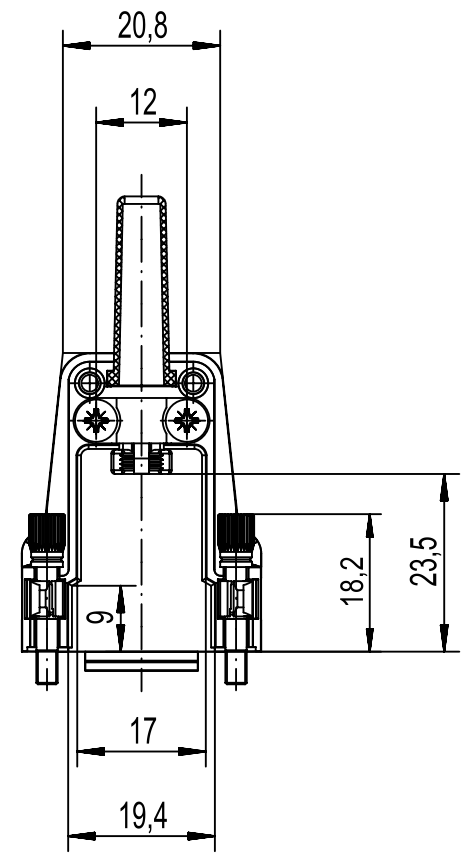



view of the hood without lid



Cable diameter without rubber bushing:  
 ØF min: 3 mm  
 ØF max: 9,5 mm

Cable diameter with rubber bushing:  
 ØF max: 6,5 mm

	All Dimensions in mm Original Size DIN A4		Scale 1:1	Free size tol.		Ref.		
	All rights reserved		Created by DOUGE	Inspected by BAGDIKIAN	Standardisation HOFFMANN	Date 2014-02-14	State Final Release	
Department EC PD - FR		Title D-Sub 9-poles metal hood top entry				Doc-Key / ECM-Nr. 100527872/UGD/001/B 500000071307		
HARTING Electronics GmbH		Type TB	Number 09670090320			Rev. B	Page 1/1	
D-32339 Espelkamp								

09670090320	4-40 UNC-2A
Part number	Screw thread