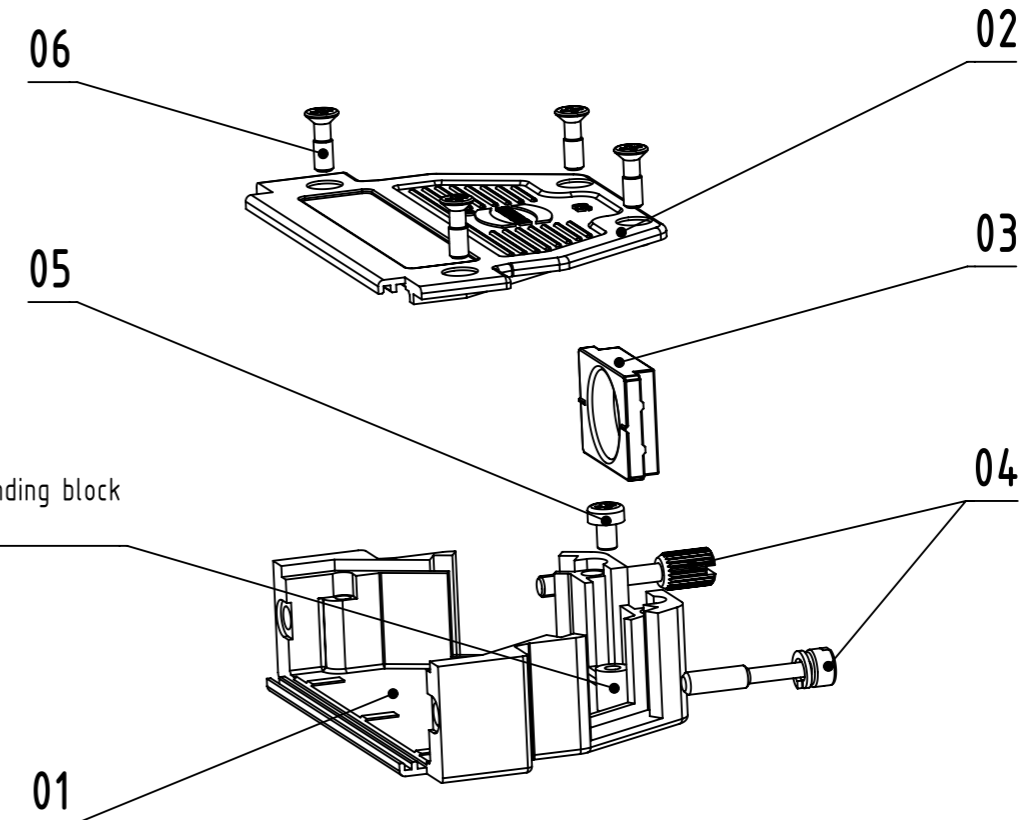
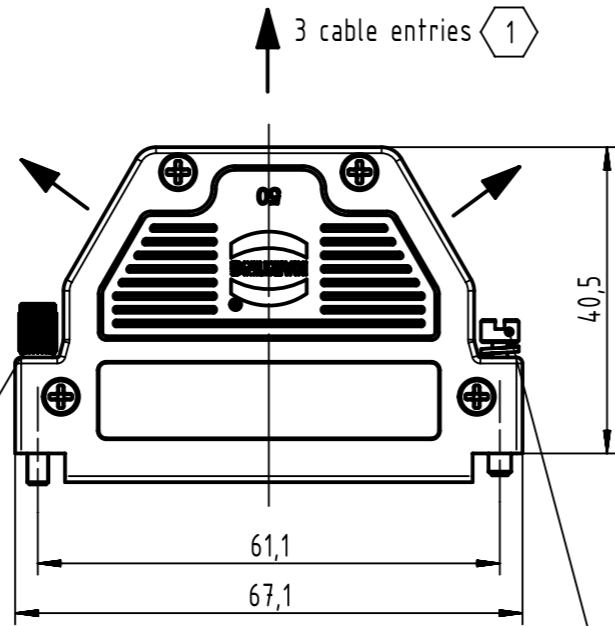
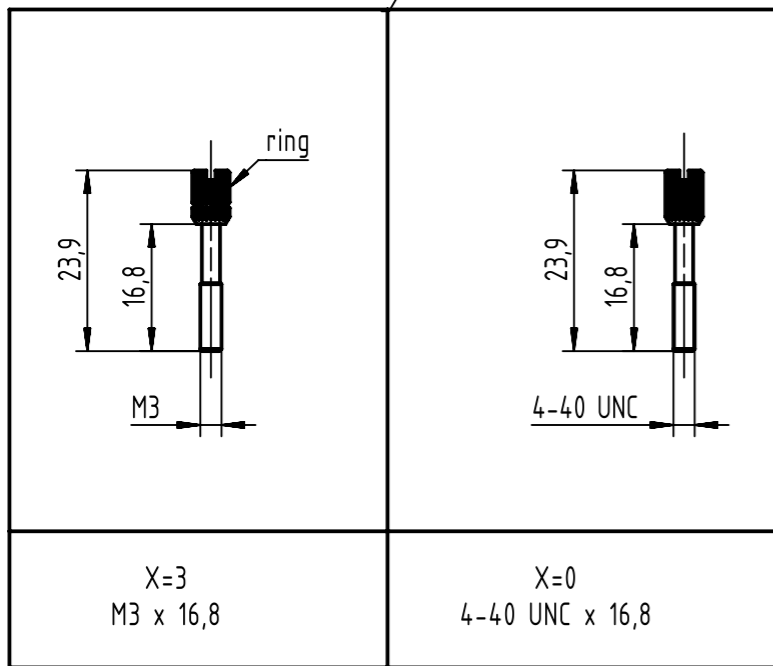


Hexagonal head screw driver
P/N 61 03 600 0021
for hexagonal head screw
max torque=0,5Nm



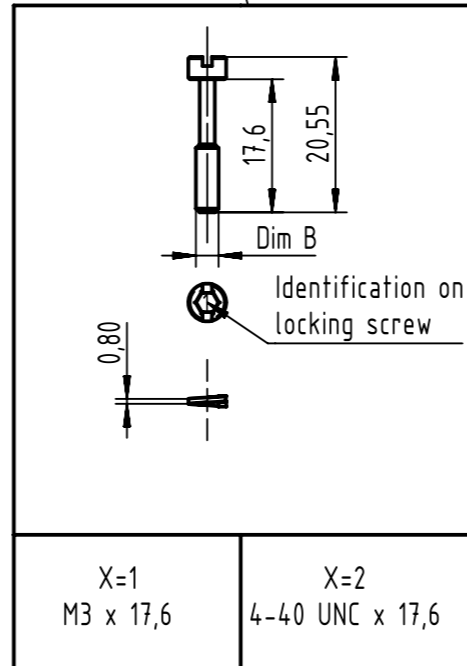
Internal grounding block
(optional)

1 For strain relief an additional InduCom cable clamp or a crimp flange and ferrule combination depending on the cable is necessary



X=3
M3 x 16,8

X=0
4-40 UNC x 16,8



X=1
M3 x 17,6

X=2
4-40 UNC x 17,6

6103 001 X019 YYY

| Part Number | Dim B screw size | Screw type | Identification on locking screw | Internal grounding block |
|-------------------|------------------|-------------------------------------|---------------------------------|----------------------------------|
| 6103 001 0019 | 4-40 UNC | Knurled thumb screw | Without ring | With internal grounding block |
| 6103 001 1019 | M3 | Hexagonal screw with captive washer | 1 | |
| 6103 001 2019 | 4-40 UNC | Hexagonal screw with captive washer | 3 | |
| 6103 001 3019 | M3 | Knurled thumb screw | With ring | Without internal grounding block |
| 6103 001 0019 010 | 4-40 UNC | Knurled thumb screw | Without ring | |
| 6103 001 1019 010 | M3 | Hexagonal screw with captive washer | 1 | |
| 6103 001 2019 010 | 4-40 UNC | Hexagonal screw with captive washer | 3 | |
| 6103 001 3019 010 | M3 | Knurled thumb screw | With ring | |

| Content InduCom hood | | | Spare parts (MOQ100) | |
|----------------------|----------|---|----------------------|----------|
| Pos. | Quantity | Description | Part Number | Quantity |
| 01 | 1 | metal hood | | |
| 02 | 1 | metal cover | | |
| 03 | 2 | blank piece (not assembled) | 6103 000 0041 | 1 |
| 04 | 2 | locking screw (assembled): | | |
| | | either knurled thumb screws 4-40 UNC (for 0119) | 0967 002 9018 | 1 |
| | | or hexagonal M3 with captive washer (for 1119) | 0967 002 9019 | 1 |
| | | or hexagonal 4-40 UNC with captive washer (for 2119) | 0967 002 9020 | 1 |
| | | or knurled thumb screws M3 (for 3119) | 0967 002 9017 | 1 |
| 05 | 1 | grounding screw (not assembled) for version with internal grounding block | 0963 002 0007 | 1 |
| 06 | 4 | cover screw M2,5 with philips head (not losable in cover) | 0963 002 0006 | 1 |



All Dimensions in mm
Original Size DIN A3

Scale
1:1

Free size tol.

Ref.
Sub.



All rights reserved
Department EL PD

Created by
SHENGJ

Inspected by
WANGSTE

Standardisation
HOFFMANN

Date
2019-07-18

State
Final Release

Title
InduCom 50P top side entry hood assembly

Doc-Key / ECM-Nr.
100652349/UGD/000/A
500000130789

HARTING Electronics GmbH
D-32339 Espelkamp

Type
TB

Number
6103001X019

Rev.
A

Page
1/1