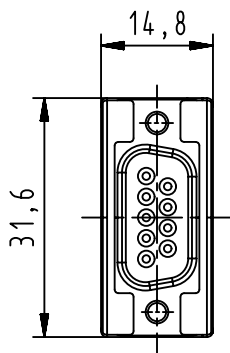
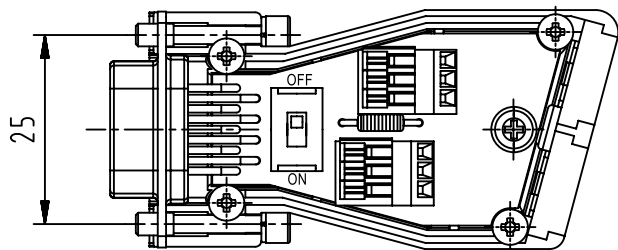
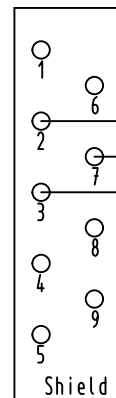


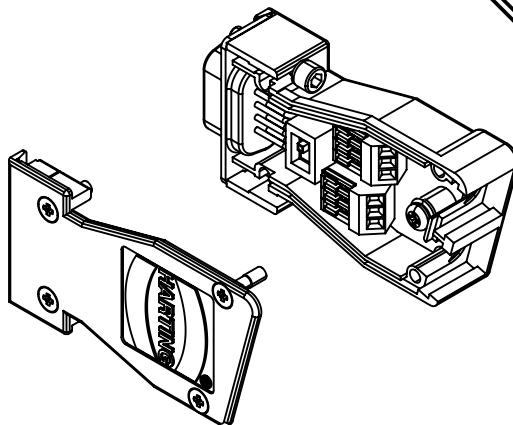
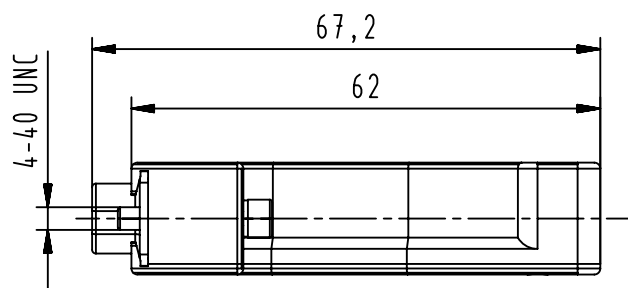
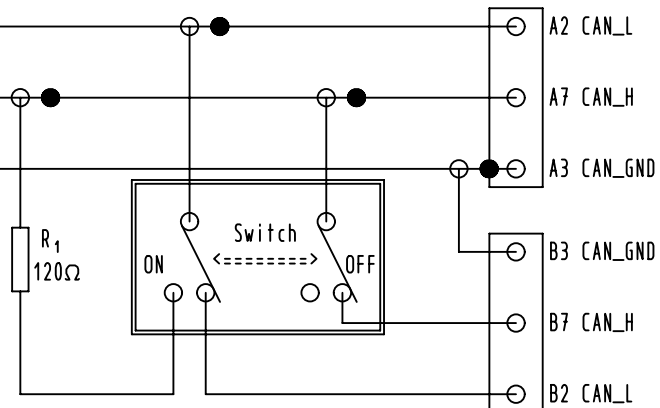
view without cover



D-Sub 9 poles



CAN Interface



in set inclusive :

number	description
2	crimp flange 6,0-7,0
2	crimp ferrule 10,0-11,0
1	blanking piece 9-37

	All Dimensions in mm Original Size DIN A4	Scale	Free size tol.		Ref.	
		1:1			Sub.	
	All rights reserved Department EC PD - FR	Created by	Inspected by	Standardisation	Date	State
		SONN	DE VANSAY	KOHLER	2014-07-08	Final Release
Title InduCom9-Female-CAN-4-40UNC					Doc-Key / ECM-Nr. 100073158/UGD/015/D 500000076754	
HARTING Electronics GmbH D-32339 Espelkamp		Type	Number		Rev.	Page
		TB	66630096016		D	1/1

66 63 009 6016	PL1
Part number	Performance level