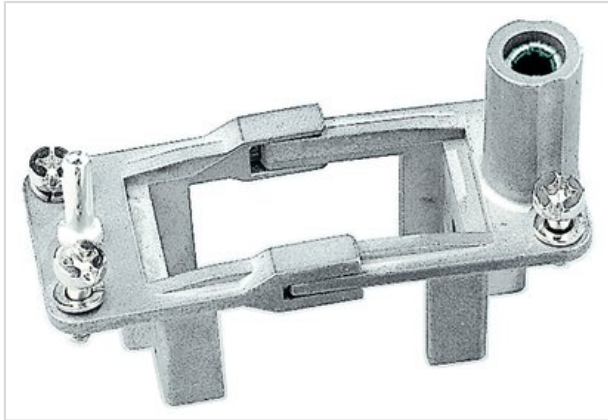


Han 10A Halterahmen für 1 Modul



Part number	09 14 000 0304
Specification	Han 10A Halterahmen für 1 Modul
HARTING eCatalogue	https://b2b.harting.com/09140000304

Identification

Category	Accessories
Type of accessory	Frame
Description of the accessory	for 1 module In housing Han® 10 A

Material properties

Material (accessories)	Zinc die-cast
RoHS	compliant with exemption
RoHS exemptions	6(c): Copper alloy containing up to 4 % lead by weight
ELV status	compliant with exemption
China RoHS	50
REACH Annex XVII substances	No
REACH ANNEX XIV substances	No
REACH SVHC substances	Yes
REACH SVHC substances	Lead

Commercial data

Packaging size	2
Net weight	39.38 g
Country of origin	Germany
European customs tariff number	85389099
eCl@ss	27440210 Fixing element for industrial connectors