

1 2 3 4 5

A

B

C

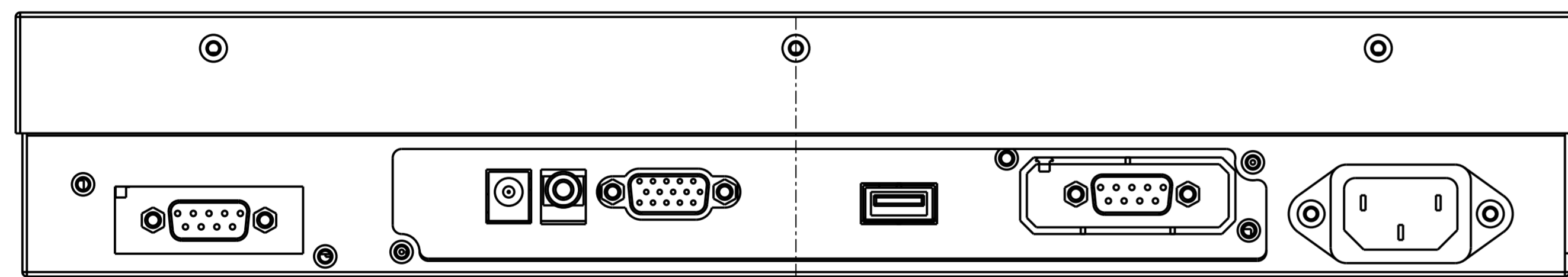
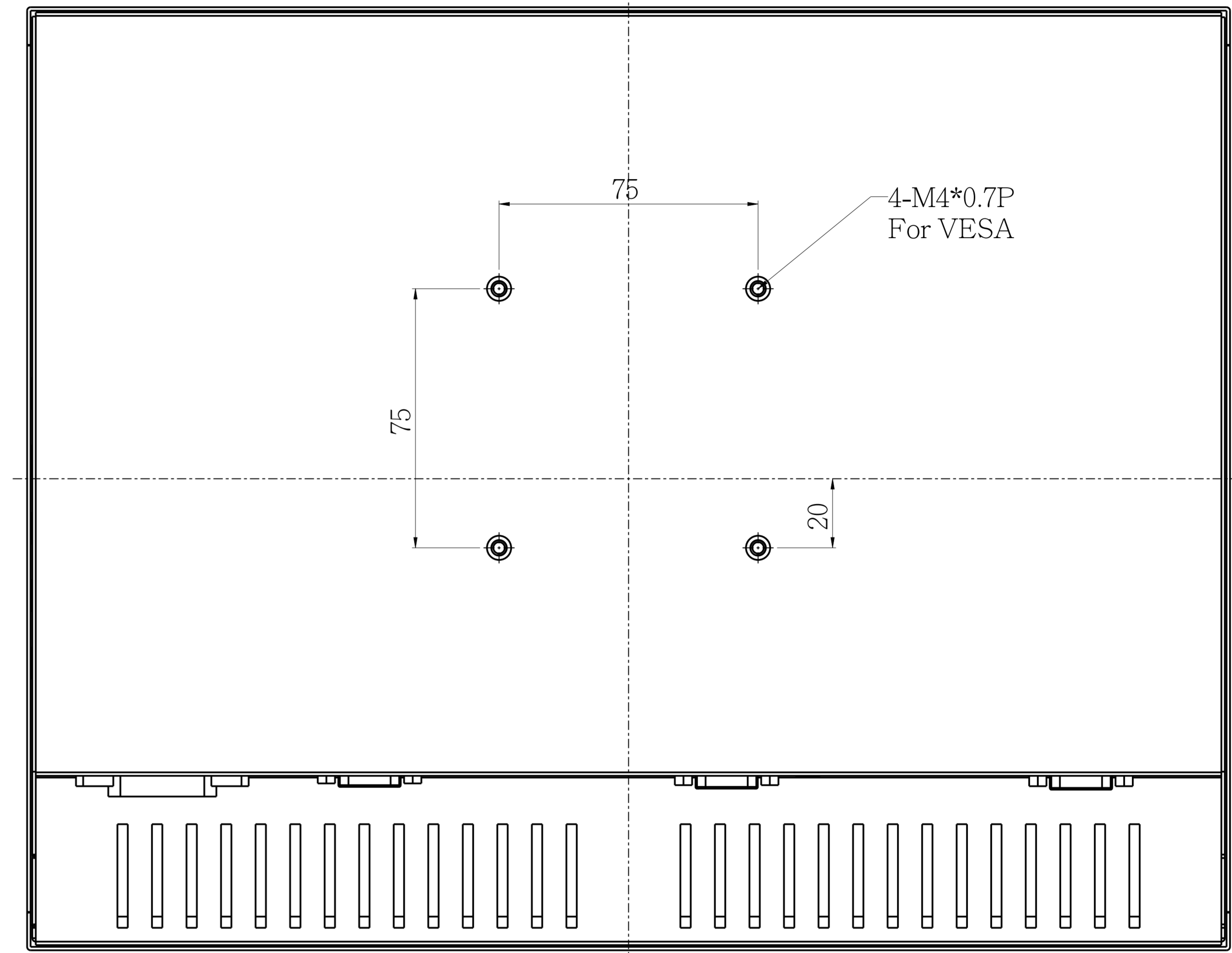
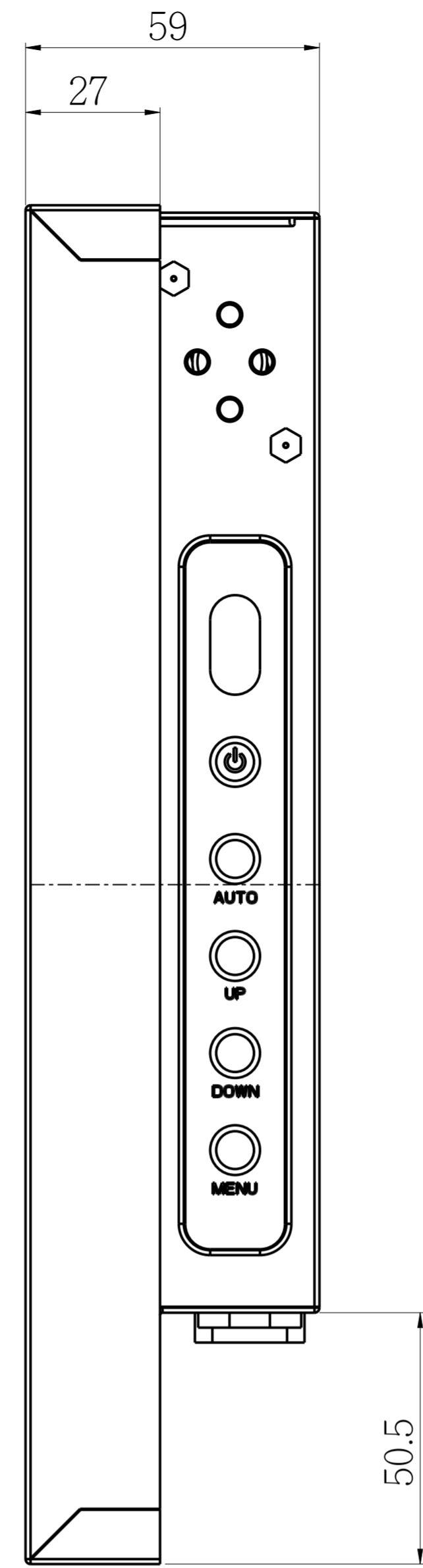
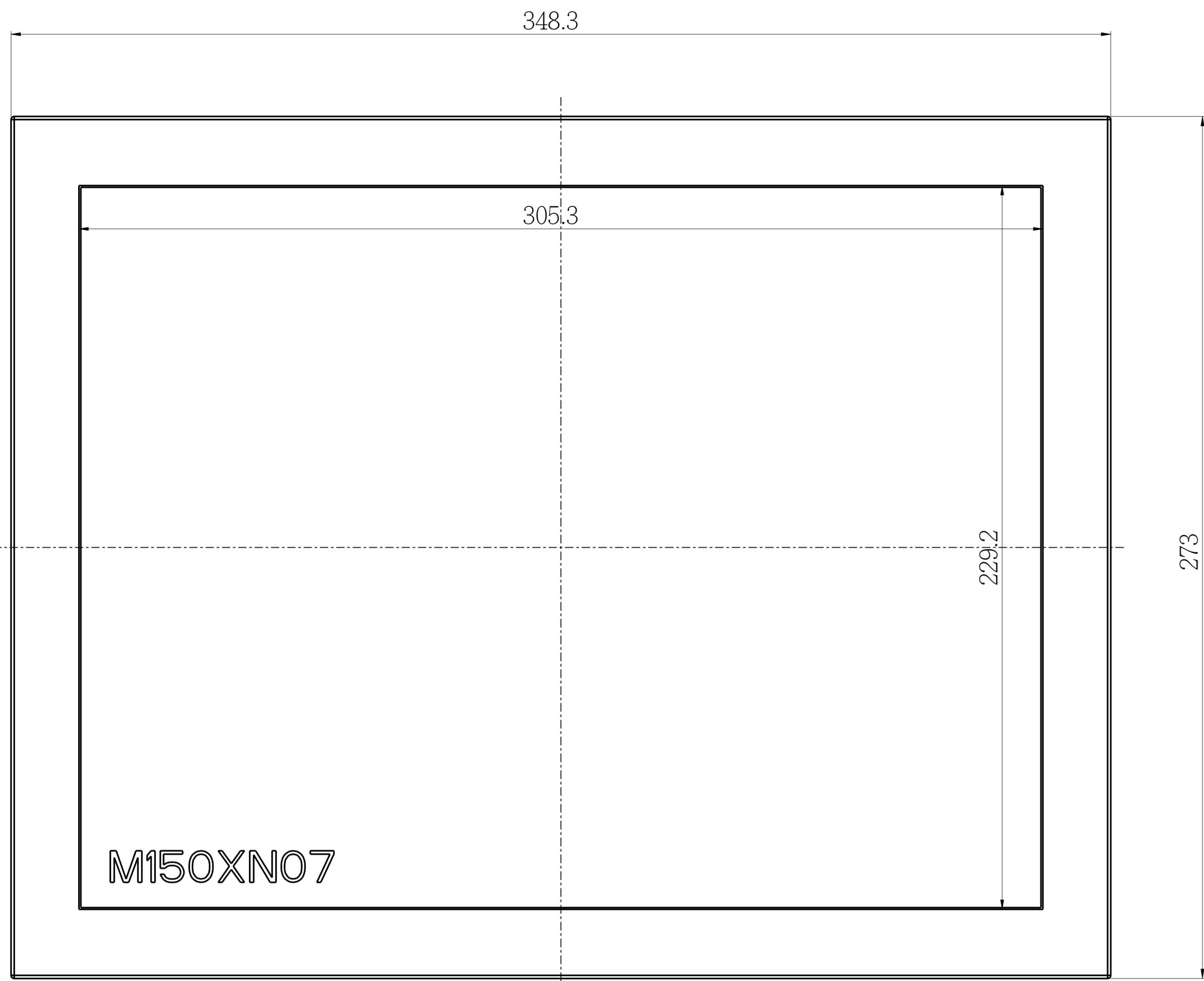
D

A

B

C

D



AD/BOARD		MODEL			CH1505			泓瑜科技有限公司 WINSONIC TECH. CO., LTD.			
INVERTER											
KEY PAD											
PANEL:		VERSION	MATERIAL	METAL	DATE	2012-Mar-01	PART NAME	ASSEMBLY			
		V1					APPROVED	DRAWN	Jack	SCALE	1.000
										UNIT	MM

1 2 3 4 5