

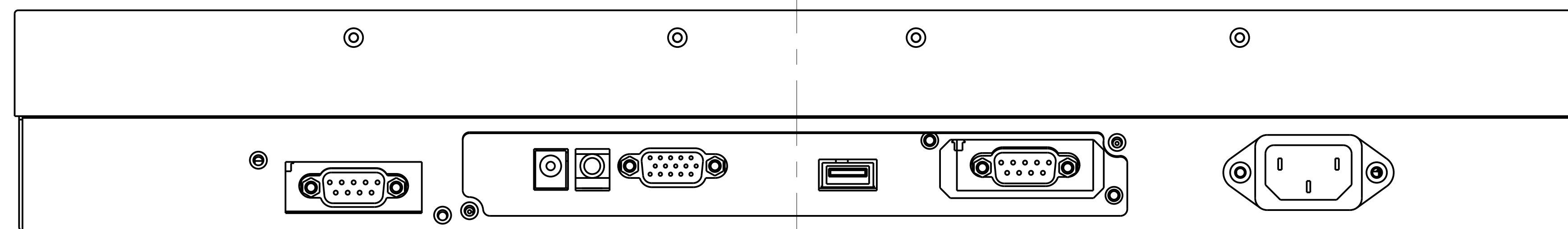
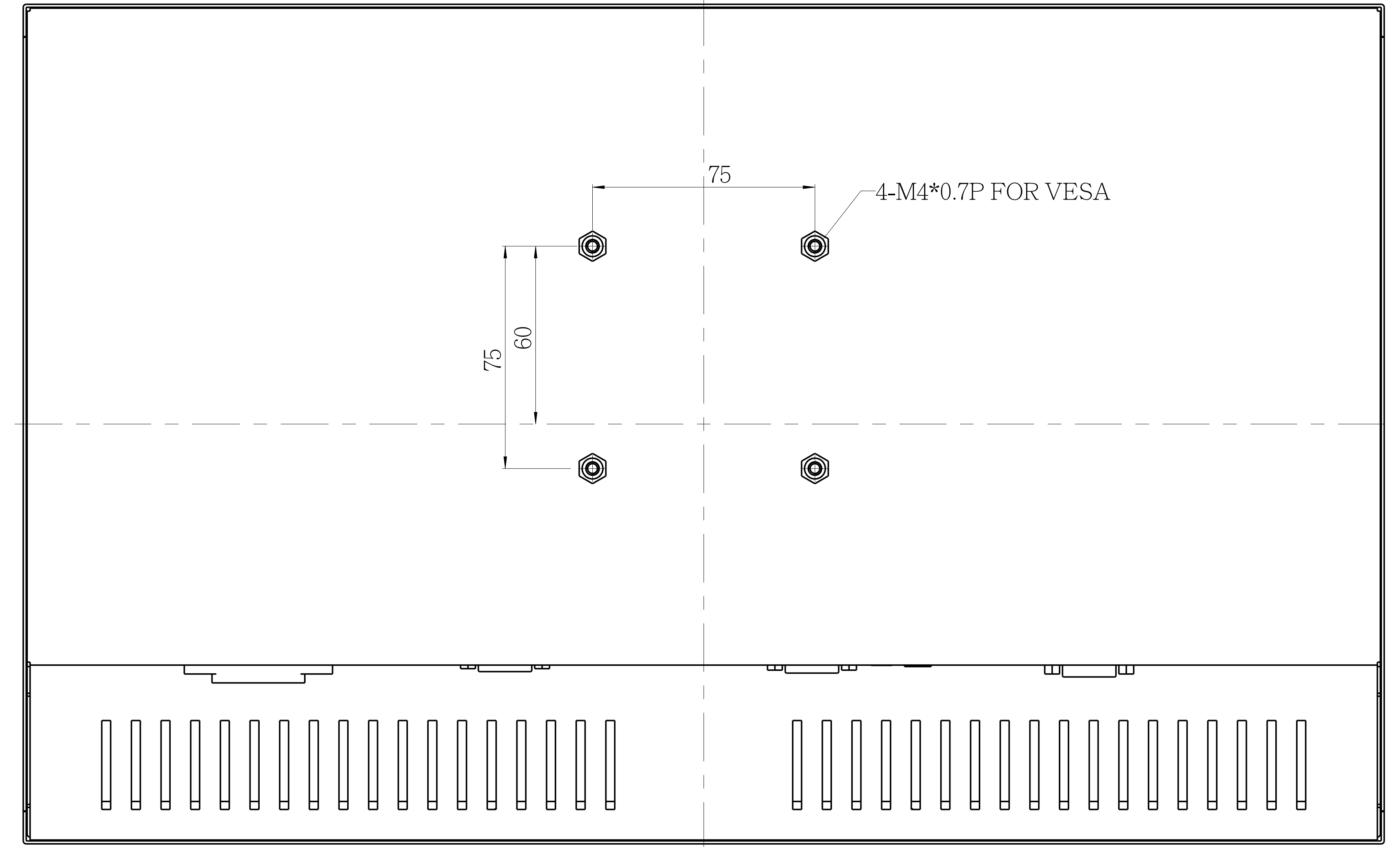
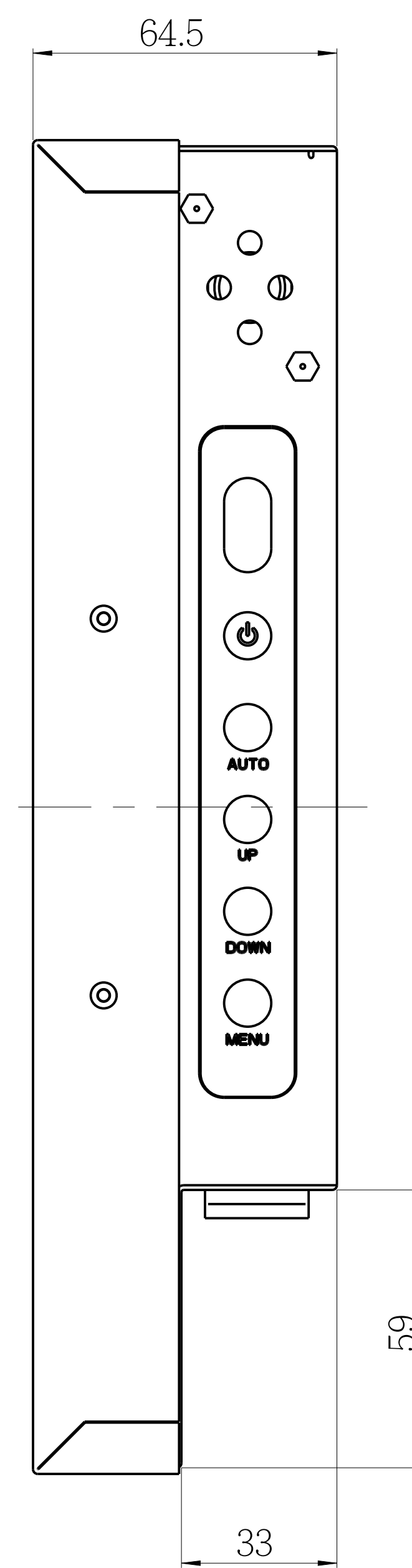
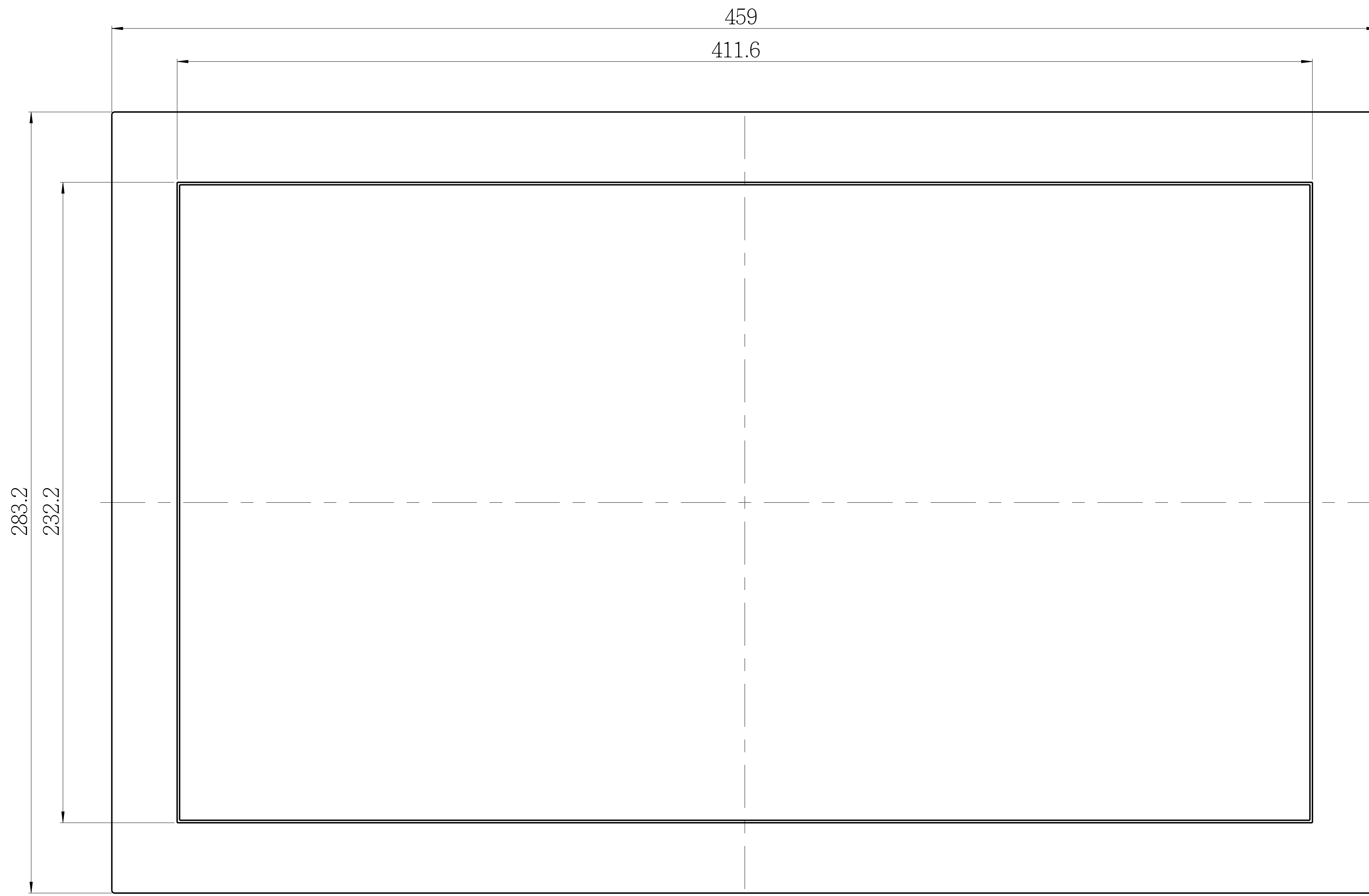
1

2

3

4

5



AD/BOARD		MODEL	CH1855			泓瑜科技有限公司 WINSONIC TECH. CO., LTD.				
INVERTER										
KEY PAD										
PANEL:	VERSION	MATERIAL	METAL	DATE	2012-Apr-10	PART NAME	ASSEMBLY			
	V1					APPROVED	DRAWN	Chris	SCALE	1.000
								UNIT	MM	

1

2

3

4

5