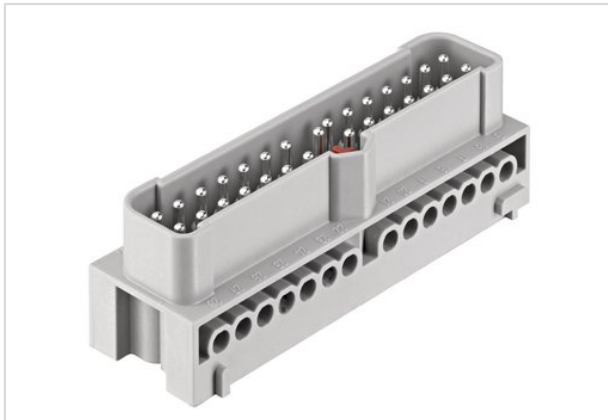


Han-Eco Mod.28E-SMC-MI-SCT



| | |
|--------------------|---|
| Part number | 19 41 028 2601 |
| Specification | Han-Eco Mod.28E-SMC-MI-SCT |
| HARTING eCatalogue | https://b2b.harting.com/19410282601 |

Identification

| | |
|----------|----------|
| Category | Inserts |
| Series | Han-Eco® |

Version

| | |
|----------------------|-------------------|
| Termination method | Screw termination |
| Gender | Male |
| Size | 24 B |
| With wire protection | Yes |
| Number of contacts | 28 |
| PE contact | Yes |

Technical characteristics

| | |
|---------------------------|------------------------------|
| Conductor cross-section | 0.75 ... 2.5 mm ² |
| Rated current | 16 A |
| Rated voltage | 500 V |
| Rated impulse voltage | 6 kV |
| Pollution degree | 3 |
| Rated voltage acc. to UL | 600 V |
| Rated voltage acc. to CSA | 600 V |
| Insulation resistance | >10 ¹⁰ Ω |
| Limiting temperature | -40 ... +125 °C |
| Tightening torque | 0.5 Nm |
| Mating cycles | ≥500 |



Pushing Performance

Material properties

| | |
|---|--|
| Material (insert) | Polycarbonate |
| Colour (insert) | RAL 7032 (pebble grey) |
| Material (contacts) | Copper alloy |
| Surface (contacts) | Silver plated |
| Material flammability class acc. to UL 94 | V-0 |
| RoHS | compliant with exemption |
| RoHS exemptions | 6(c): Copper alloy containing up to 4 % lead by weight |
| ELV status | compliant with exemption |
| China RoHS | 50 |
| REACH Annex XVII substances | No |
| REACH ANNEX XIV substances | No |
| REACH SVHC substances | Yes |
| REACH SVHC substances | Lead |

Commercial data

| | |
|--------------------------------|---|
| Packaging size | 1 |
| Net weight | 106.5 g |
| Country of origin | Romania |
| European customs tariff number | 85366990 |
| eCl@ss | 27440205 Contact insert for industrial connectors |