

1 2 3 4 5

A

B

C

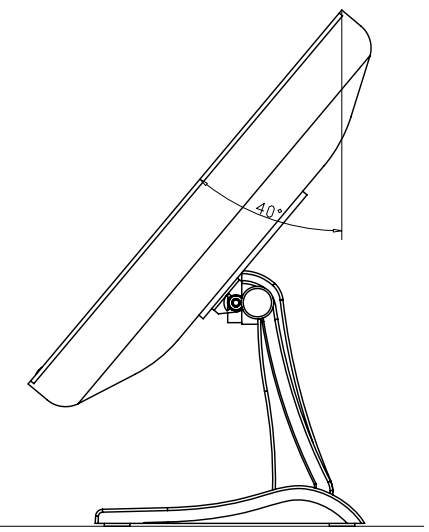
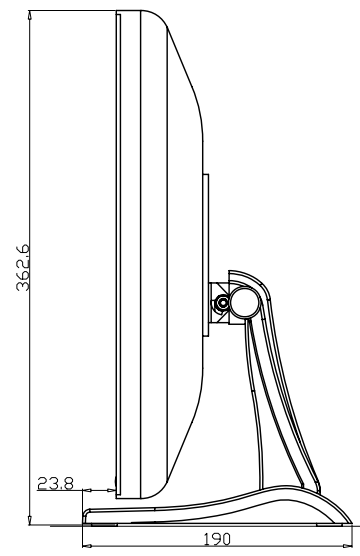
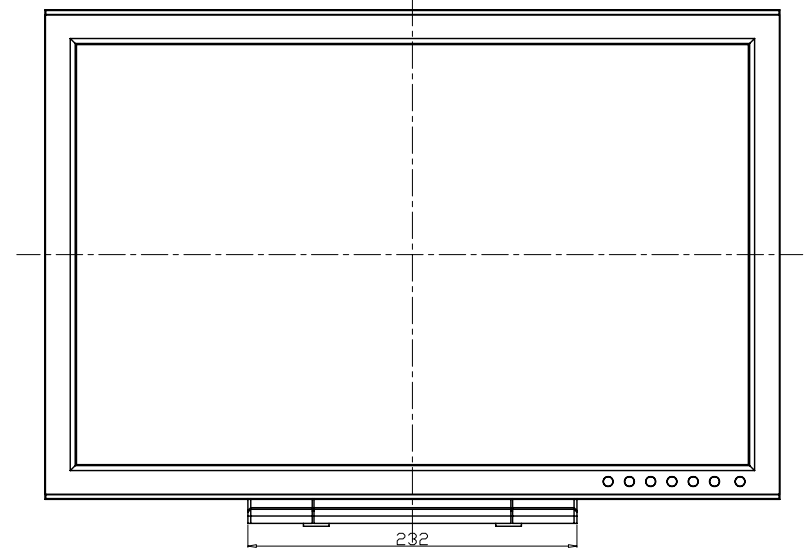
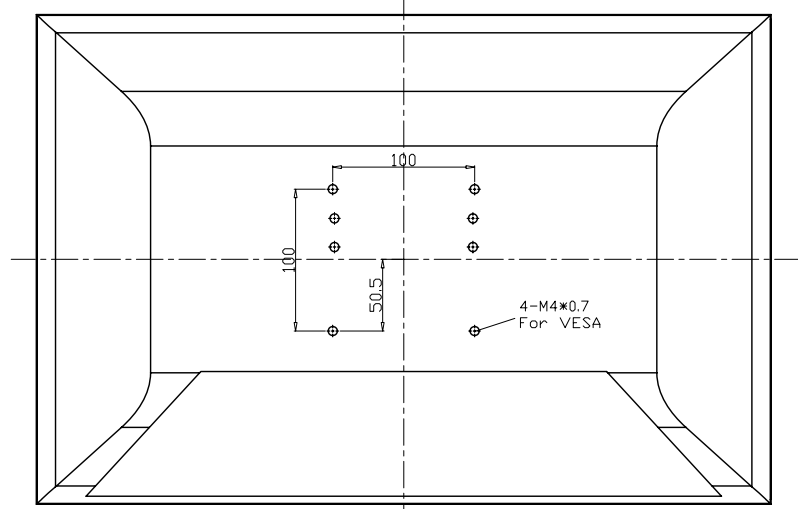
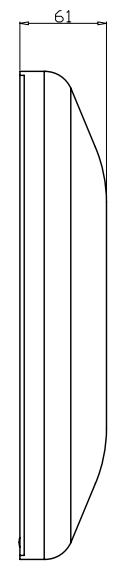
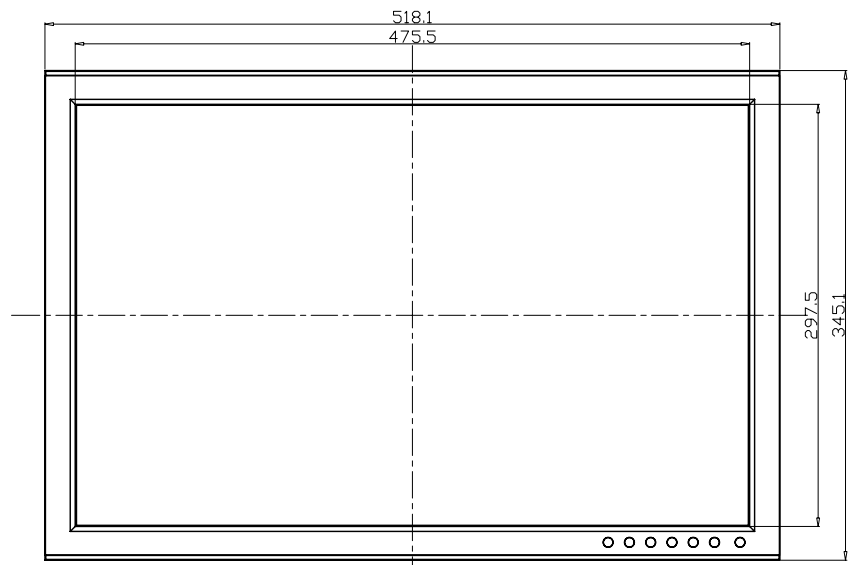
D

A

B

C

D



| | | | | | | | | | |
|----------|--|----------|-------|--|--------------------------------------|--|----------|--|----------|
| AD/BOARD | | MODEL | L2203 | | 泓瑜科技有限公司 WINSONIC TECH. CO., LTD. | | | | |
| INVERTER | | | | | | | | | |
| KEY PAD | | PART NO. | | | PART NAME | | ASSEMBLY | | |
| PANEL: | | | | | DATE | | APPROVED | | |
| | | MATERIAL | SECC | | 10/29/2008 | | | | DWG SIZE |

1 2 3 4 5