

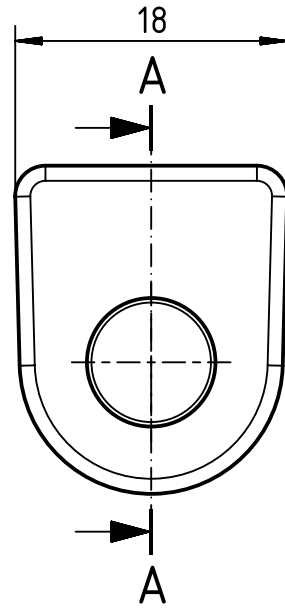
1 2 3 4 5 6

A

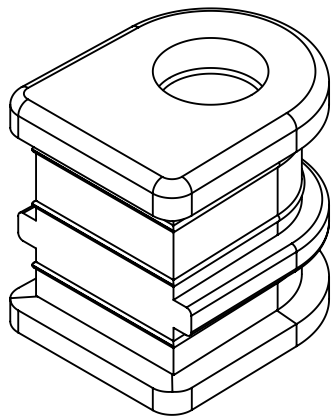
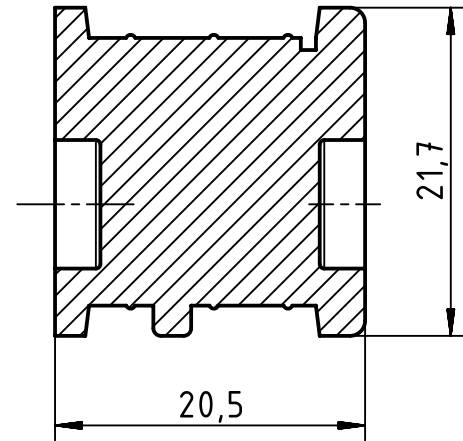
B


C

D



A-A



|   |  |   |                          |                     |                       |                            |  |                        |  |
|---|--|---|--------------------------|---------------------|-----------------------|----------------------------|--|------------------------|--|
|  | All rights reserved<br>Department EL PD - CN | All Dimensions in mm<br>Original Size DIN A4        |                          | Scale<br>2:1        | Free size tol.        |                            | Ref.   |                        |  |
|   |  | HARTING Electric GmbH & Co. KG<br>D-32339 Espelkamp |                          | Created by<br>LONGL | Inspected by<br>DINGB | Standardisation<br>RUETERA | Date<br>2018-07-10                                       | State<br>Final Release |  |
| Title<br>Han split hood blind sealing   |  |   |                          |                     |                       |                            | Doc-Key / ECM-Nr.<br>100746846/UGD/001/A<br>500000137432 |                        |  |
| Type<br>TB  |  |   | Number<br>09 00 000 6101 |                     |                       |                            | Rev.<br>A  | Page<br>1/1            |  |