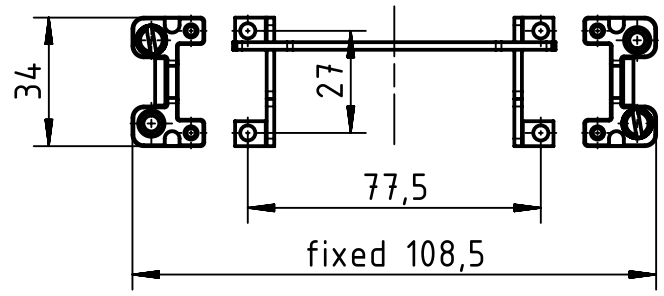
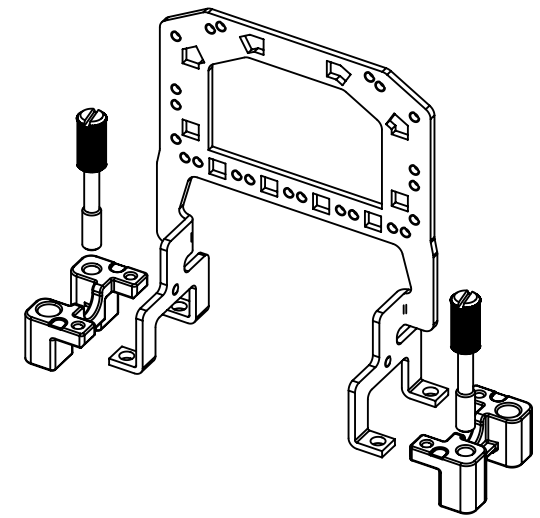
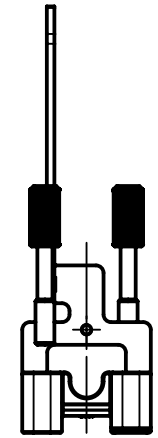
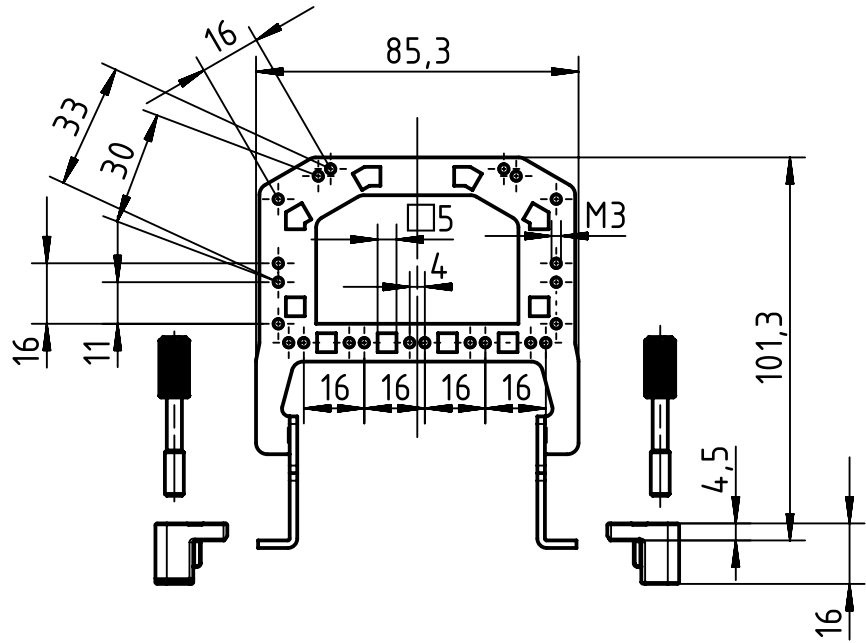


1 2 3 4 5 6

A  
B  
C  
D



suitable with Han-Modular hinged frame for 4 modules  
and for inserts size 16 B  
pinhole image for cable clamp 09 00 000 5341, 09 00 000 5342  
and cable ties with max. 5mm width

range of delivery: grip frame,  
screw adapters, screw pins

	All rights reserved Department EL PD - DE	All Dimensions in mm Original Size DIN A4		Scale 1:2	Free size tol.	Ref. Sub.
		HARTING Electric GmbH & Co. KG D-32339 Espelkamp	Created by RULLKOETTER	Inspected by BERGHORN	Standardisation RUETERA	Date 2015-11-10
Title grip panels Han-Modular 16 hinged frame						Doc-Key / ECM-Nr. 100198006/UGD/004/C 500000096697
Type TB				Number 09 00 016 5605		Rev. C
						Page 1/1