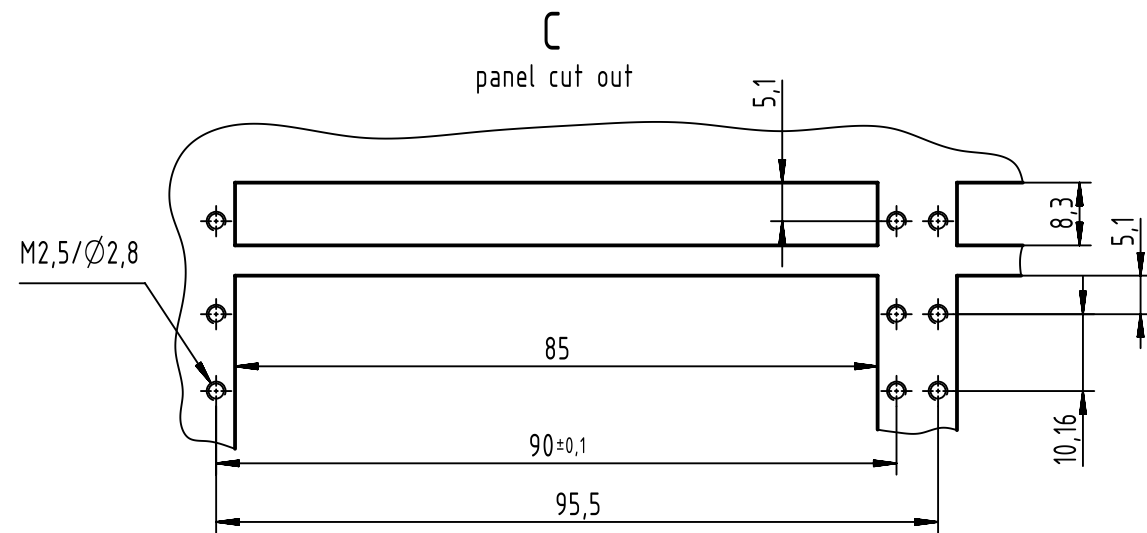


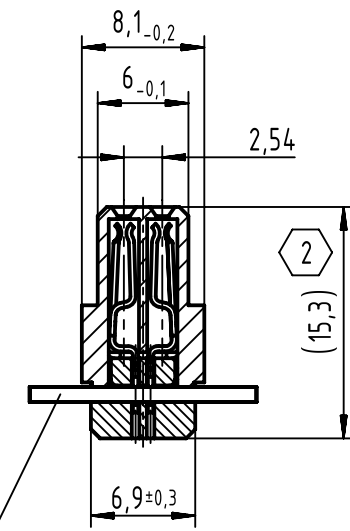
64 contacts

⊠ = position with contact

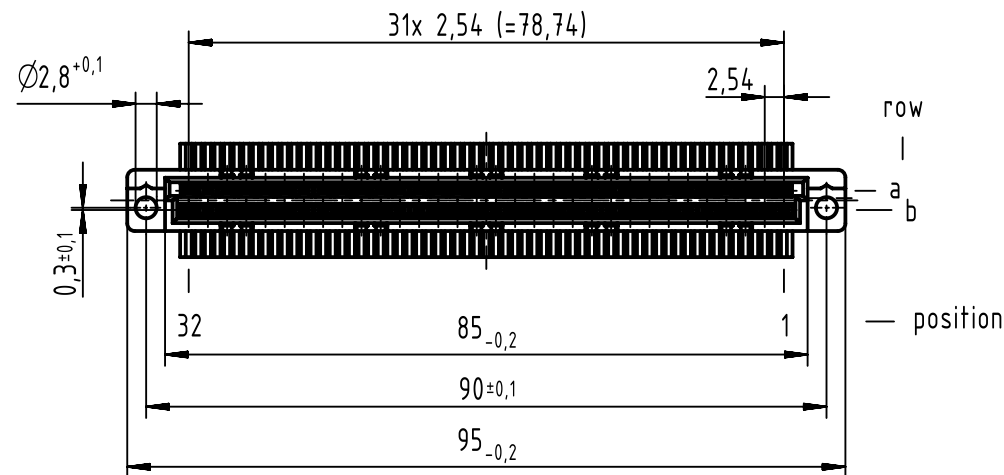
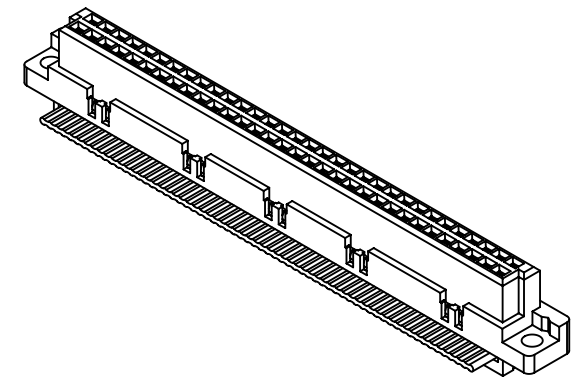
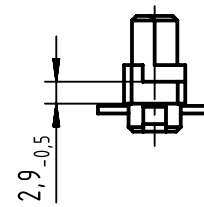
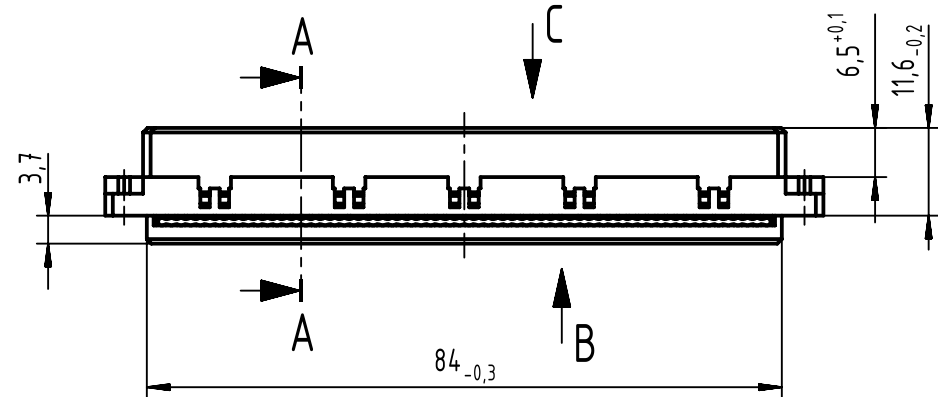
□ = position without contact



A-A (2:1)



flat cable AWG 28/7
pitch 1,27mm
(is not in scope of delivery)



2 total height for assembled connector

1 further information see: DS 09032000601

lead number 1 of flat cable on contact 1b

09 02 264 7828	3
09 02 264 6828	2
part-no	performance level 1

	All Dimensions in mm Original Size DIN A3	Scale 1:1	Free size tol. IEC 60603-2	Ref. Sub. TB 0902264x828 / Mod. 34977 / 25.02.2008		
	All rights reserved Department EC PD - DE	Created by LEHNERT	Inspected by DAHMS	Standardisation KOHLER	Date 2017-04-13	State Final Release
HARTING Electronics GmbH D-32339 Espelkamp		Title DIN Signal type B female for insulation displacement			Doc-Key / ECM-Nr. 100119619/UGD/002/B 500000118130	
		Type TB	Number 0902264X828		Rev. B	Page 1/1