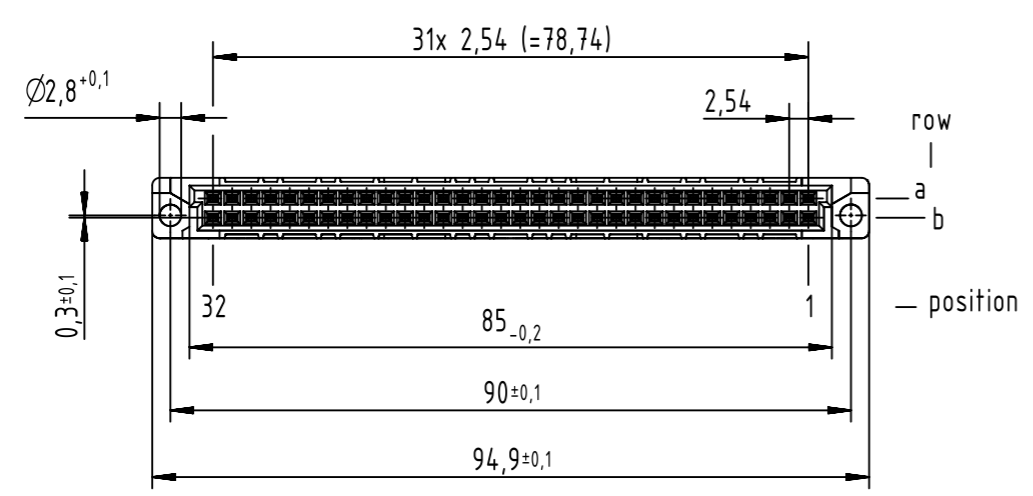
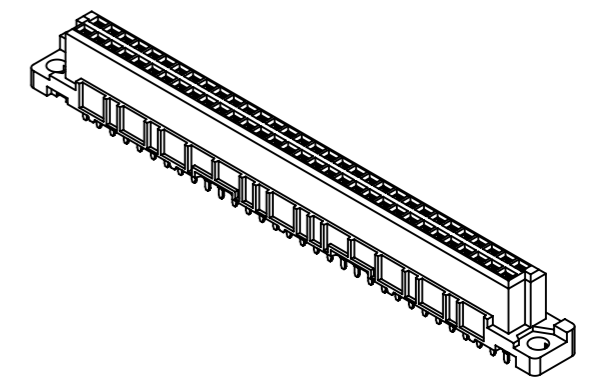
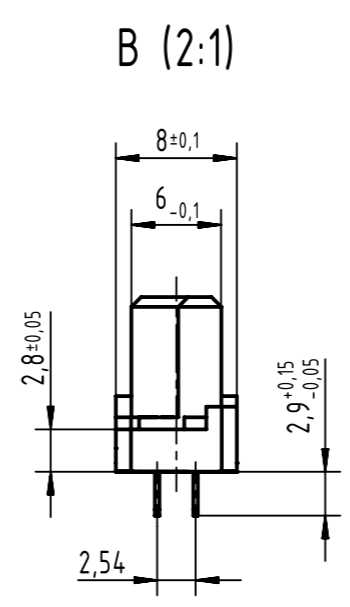
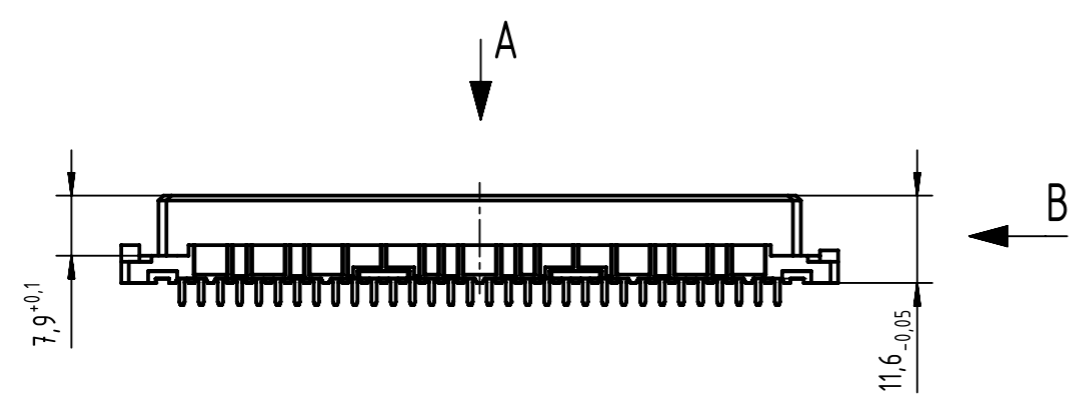


64 solder contacts

⊗ = position with contact

□ = position without contact



09 02 264 6841	2
part no.	performance level 1

1 further information see: DS 09032130203

	All Dimensions in mm Original Size DIN A3		Scale 1:1	Free size tol. IEC 60603-2	Ref. Sub. TB 09 02 264 x841 / 36468 / 06.01.2012	
	All rights reserved Department EL PD		Created by HAGEMEYERE	Inspected by LEHNERT	Standardisation HOFFMANN	Date 2015-06-24
HARTING Electronics GmbH D-32339 Espelkamp		Title DIN Signal type B female solder 2.9 64-pole, CTI>400			Doc-Key / ECM-Nr. 100179617/UGD/034/C 50000090443	
		Type TB	Number 0902264X841		Rev. C	Page 1/1