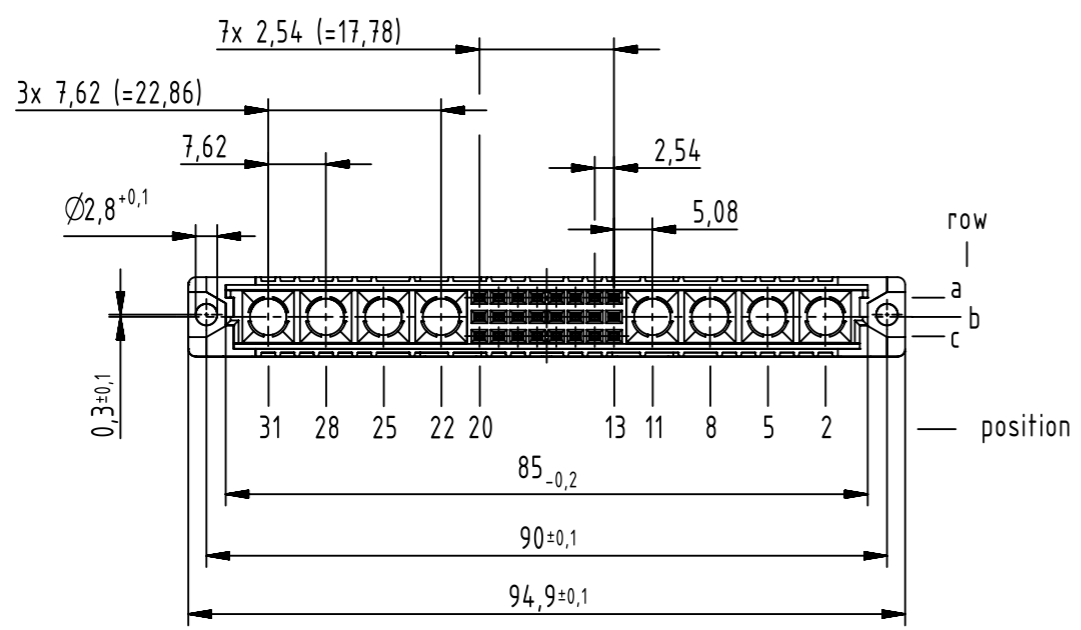
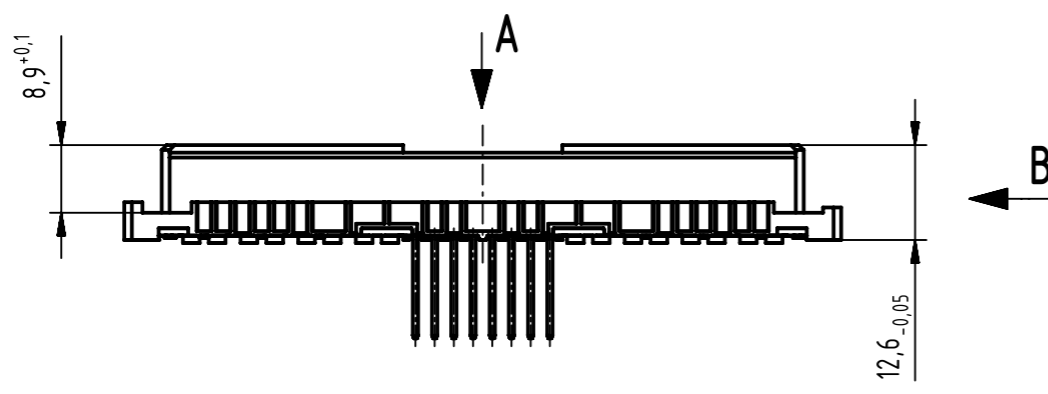
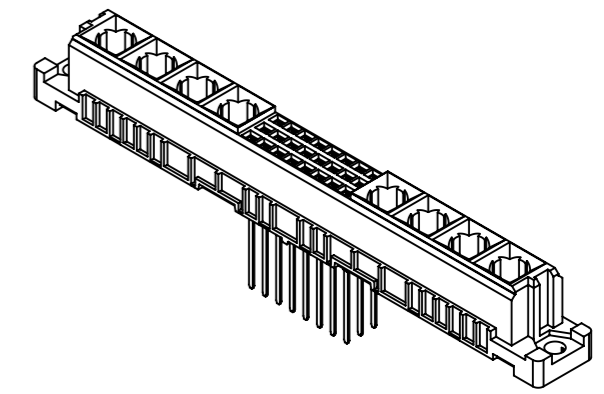
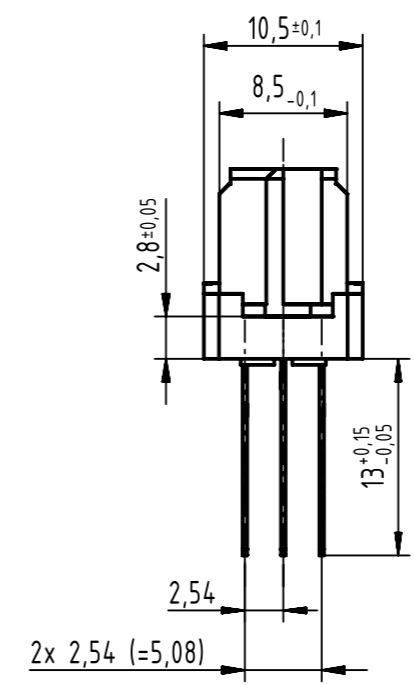


A
board drillings

A
contact arrangement

24 solder contacts
 ☒ = position with contact
 □ = position without contact

B (2:1)



② hole diameter is to be co-ordinated with the respective contact
 ① further information see: DS 09032100001

09 03 224 6401	2
part no.	performance level ①

All Dimensions in mm Original Size DIN A3		Scale 1:1	Free size tol. IEC 60603-2	Ref. Sub.
All rights reserved Department EC PD - DE		Created by STORCK	Inspected by TADJE	Standardisation HOFFMANN
HARTING Electronics GmbH D-32339 Espelkamp		Title DIN Signal type M24+8 female solder 13.0 24-pole		Date 2017-11-07
		Type TB	Number 0903224X401	State Final Release
				Doc-Key / ECM-Nr. 100072218/UGD/092/E 500000126859
				Rev. E Page 1/1