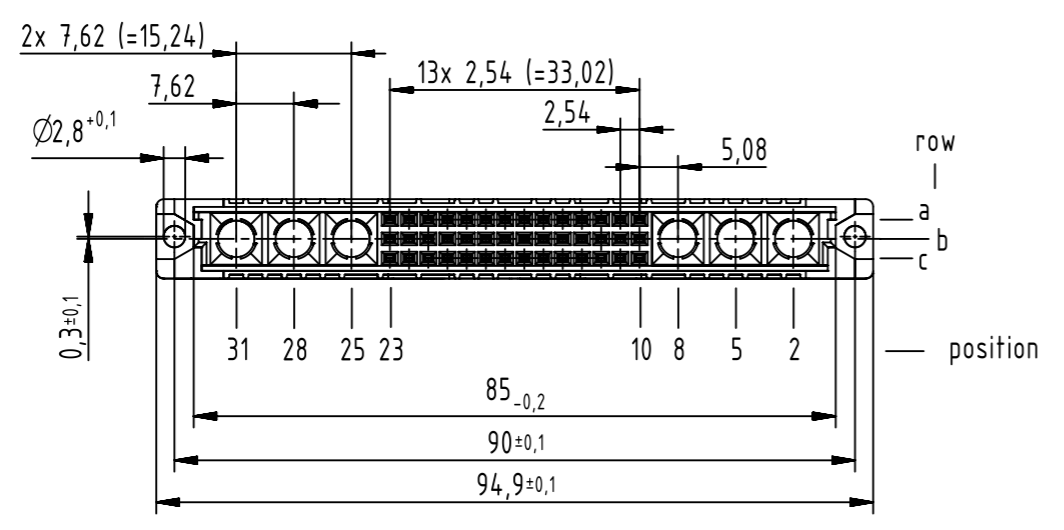
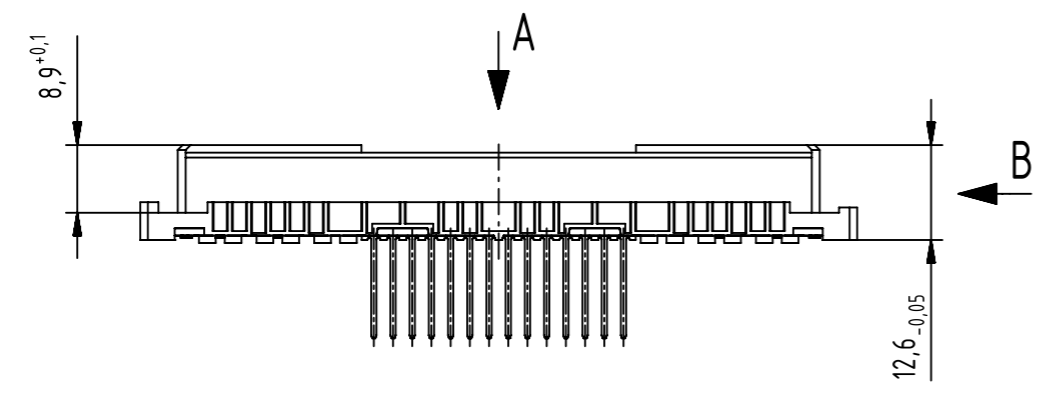
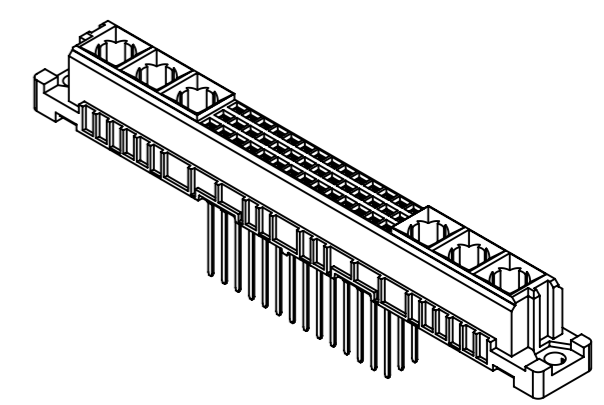
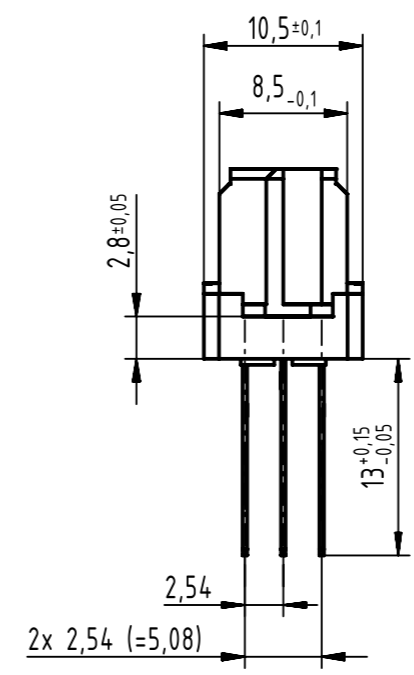


42 solder contacts

⊗ = position with contact

□ = position without contact

B (2:1)



⊗ hole diameter is to be co-ordinated with the respective contact

⊠ further information see: DS 09032100001

09 03 242 6401	2
part no.	performance level 1

All Dimensions in mm Original Size DIN A3		Scale 1:1	Free size tol. IEC 60603-2	Ref.
All rights reserved Department EC PD - DE		Created by STORCK	Inspected by TADJE	Standardisation HOFFMANN
HARTING Electronics GmbH D-32339 Espelkamp		Title DIN Signal type M42+6 female solder 13.0 42-pole Type TB Number 0903242X401		Date 2017-11-07 State Final Release Doc-Key / ECM-Nr. 100072218/UGD/093/E 500000126859 Rev. E Page 1/1