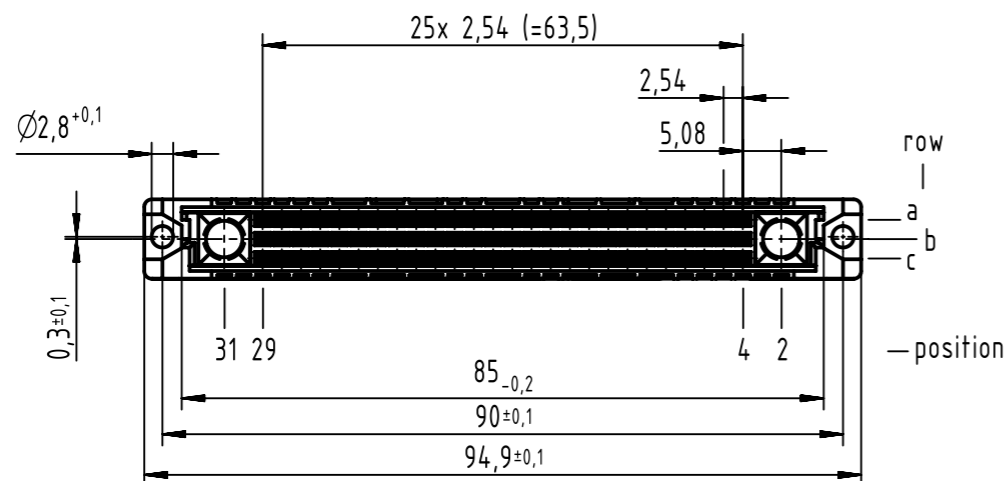
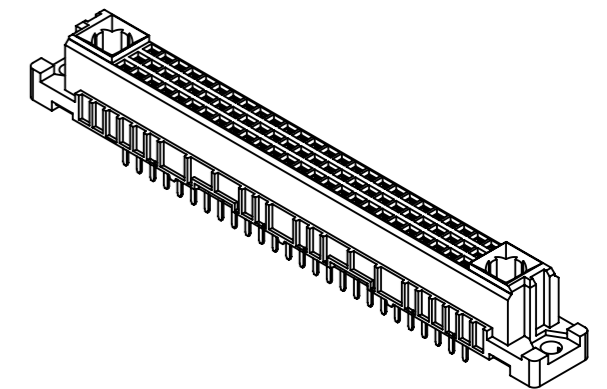
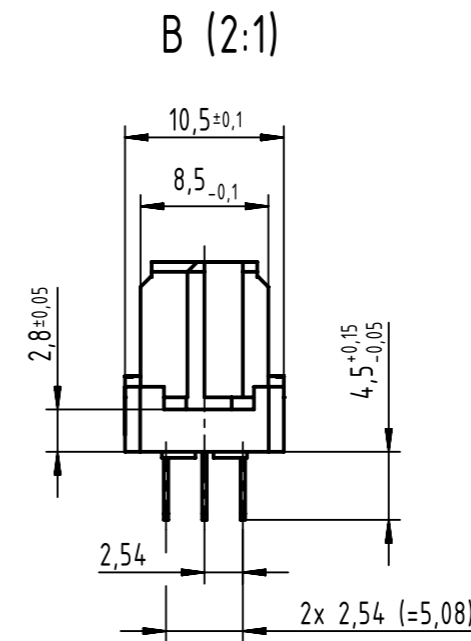
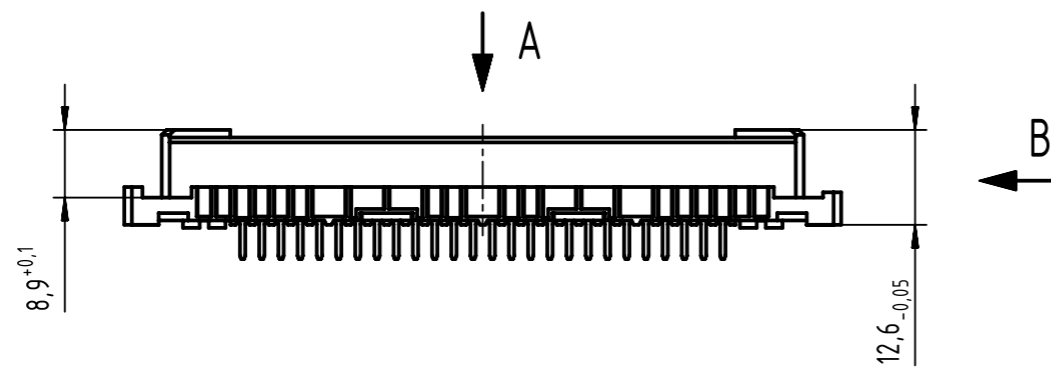


78 solder contacts
 ☒ = solder contact
 □ = position without contact



② hole diameter is to be co-ordinated with the respective contact
 ① further information see: DS 09032100001

09 03 278 6805	2
part no.	performance level ①

All Dimensions in mm Original Size DIN A3		Scale 1:1	Free size tol. IEC 60603-2	Ref.	
All rights reserved Department EL PD		Created by ZWAHR	Inspected by TADJE	Standardisation HOFFMANN	Date 2017-01-20
HARTING Electronics GmbH D-32339 Espelkamp		Title DIN Signal type M78 female solder 4.5 78-pole			State Final Release
		Type TB	Number 0903278X805	Doc-Key / ECM-Nr. 100072218/UGD/067/D 500000114096	Rev. D Page 1/1