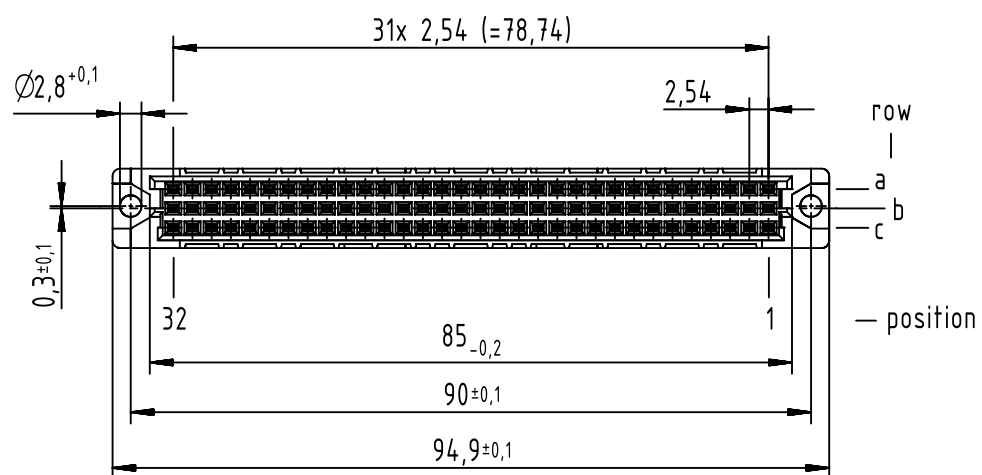
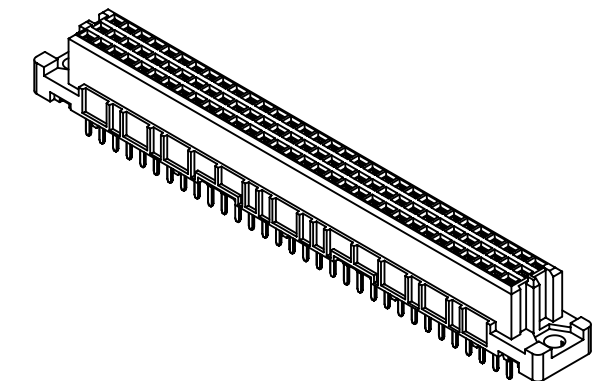
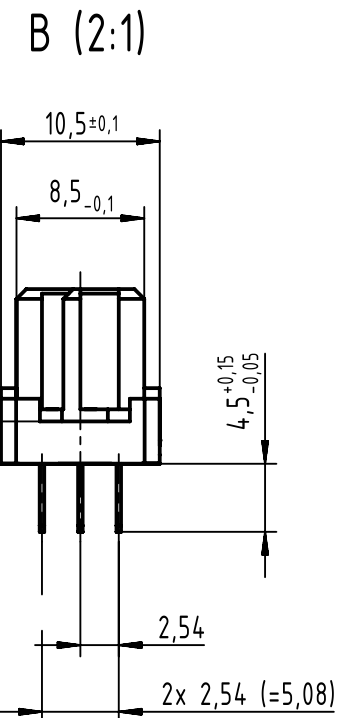
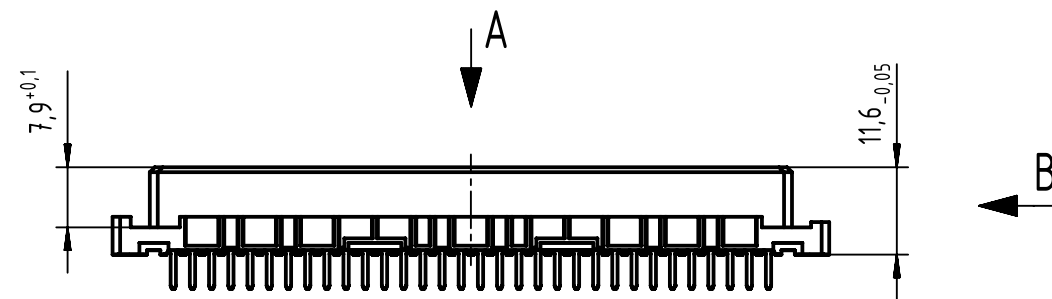


96 solder contacts

☒ = position with contact

■ = position with kinked solder contact

□ = position without contact



1 further information see: DS 09032130203

09 03 296 6829	2
part no.	performance level 1

	All Dimensions in mm Original Size DIN A3	Scale 1:1	Free size tol. IEC 60603-2	Ref. Sub. TB 09 03 296 x829 / 36400 / 05.07.2011		
	All rights reserved Department EL PD	Created by HAGEMEYERE	Inspected by LEHNERT	Standardisation HOFFMANN	Date 2015-06-24	State Final Release
HARTING Electronics GmbH D-32339 Espelkamp		Title DIN Signal type C female solder 4.5 96-pole, CTI>400			Doc-Key / ECM-Nr. 100173852/UGD/159/D 50000090443	
		Type TB	Number 0903296X829		Rev. D	Page 1/1