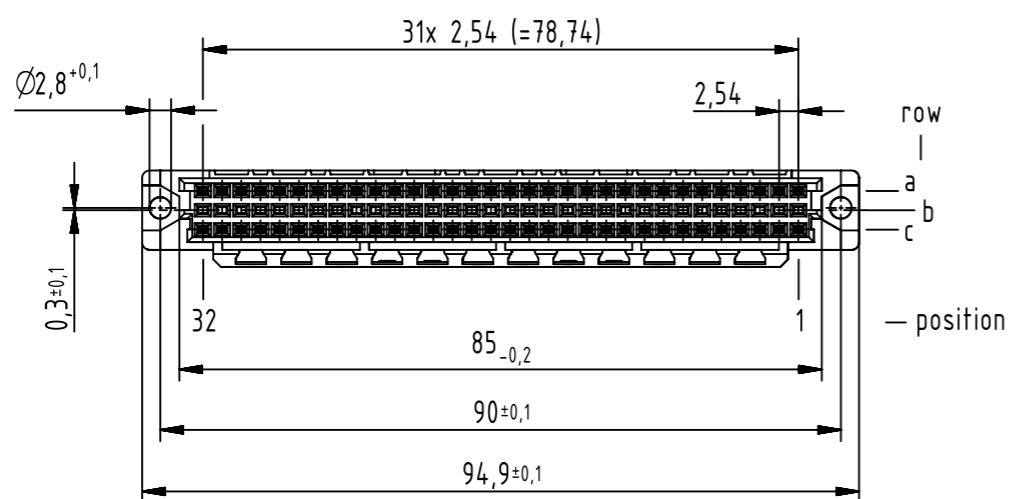
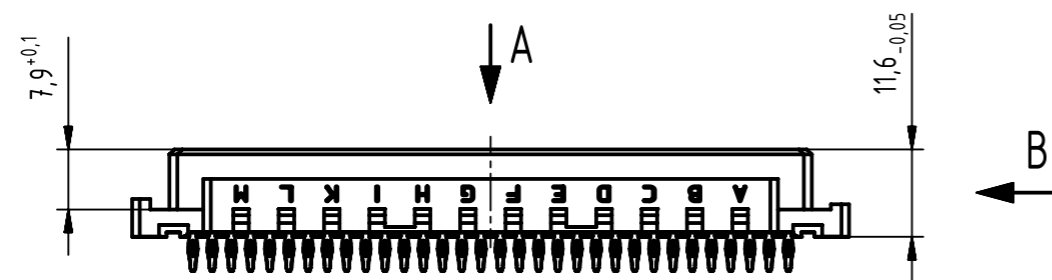
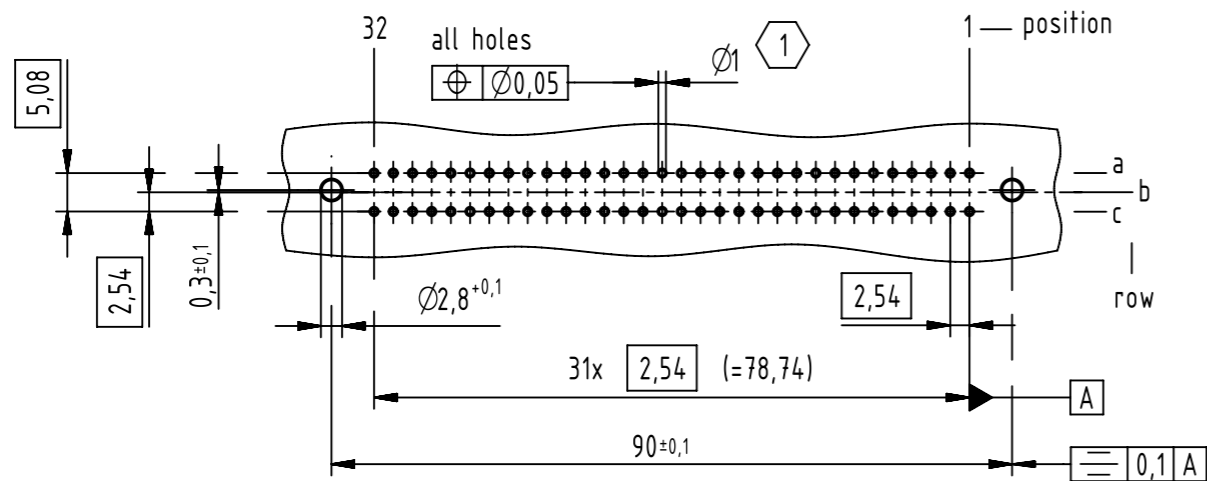
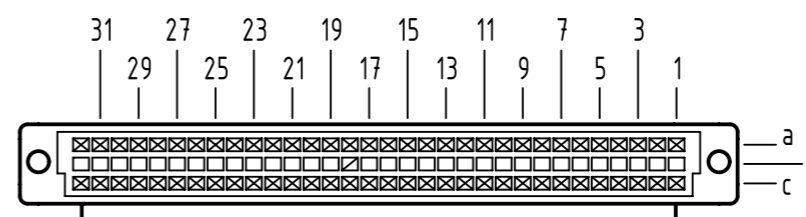


**A**  
board drillings



**A**  
contact arrangement

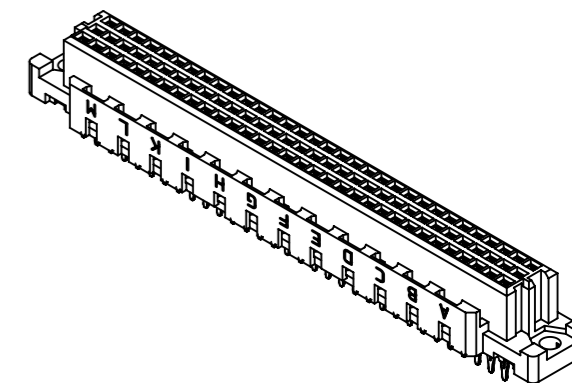
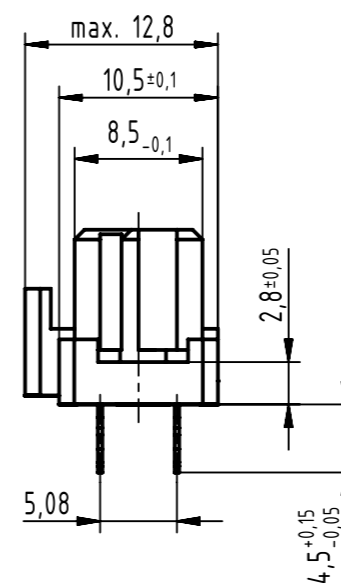


64 press-in contacts

☒ = press-in contact

□ = position without contact

**B (2:1)**



1 recommended configuration of plated through holes and further information see: DS 09032100001

09 03 764 6850	2
part no.	performance level 1

	All Dimensions in mm Original Size DIN A3	Scale 1:1	Free size tol. IEC 60603-2	Ref. Sub. TB 09 03 764 x850 Mod. 36053 v. 11.06.10		
	All rights reserved Department EL PD	Created by HAGEMEYERE	Inspected by TADJE	Standardisation HOFFMANN	Date 2013-11-11	State Final Release
HARTING Electronics GmbH D-32339 Espelkamp		Title DIN Signal type C female press-in with coding 64-pole			Doc-Key / ECM-Nr. 100173852/UGD/208/D 50000068354	
		Type TB	Number 0903764X850		Rev. D	Page 1/1