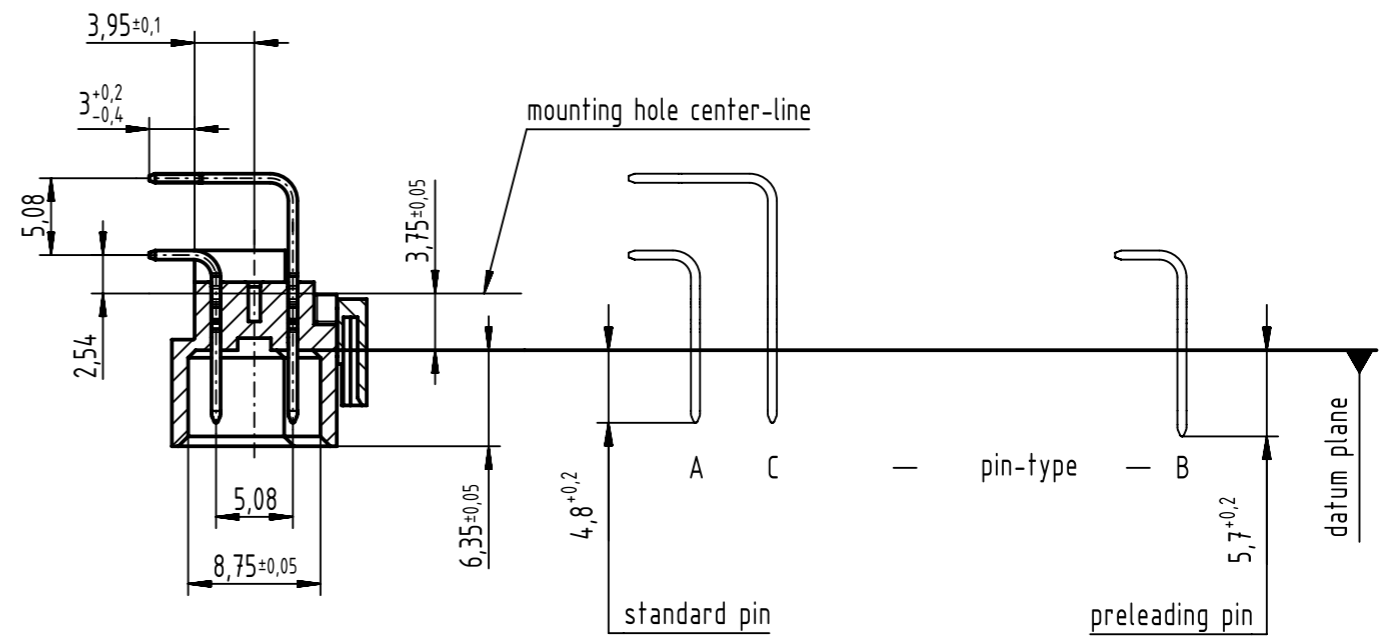
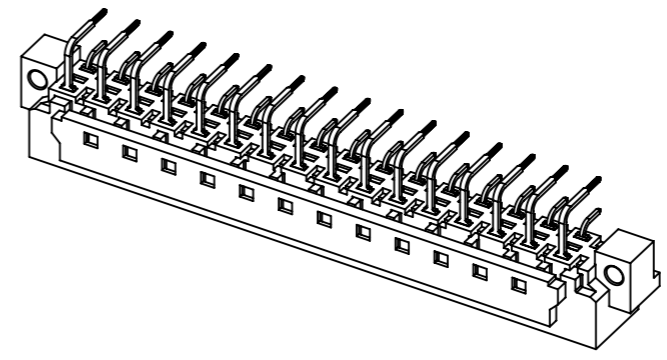
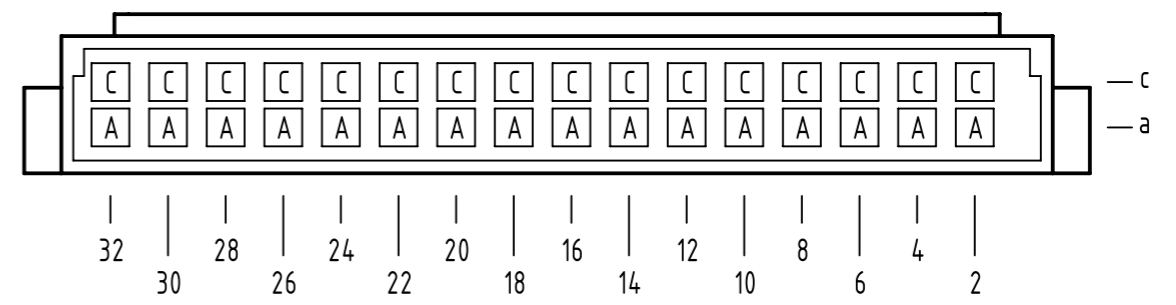


**A-A (2:1)**



**B**  
contact loading



1 further information see: DS 09041000201

09 04 632 6921	2
part no.	performance level 1

<p>All rights reserved Department EC PD - DE</p> <p>HARTING Electronics GmbH D-32339 Espelkamp</p>	<p>All Dimensions in mm Original Size DIN A3</p>	<p>Scale 1:1</p>	<p>Free size tol. IEC 60603-2</p>	<p>Ref.</p>	<p>Sub.</p>
	<p>Created by STORCK</p>	<p>Inspected by LEHNERT</p>	<p>Standardisation HOFFMANN</p>	<p>Date 2017-02-03</p>	<p>State Final Release</p>
<p>Title DIN Power type D male solder 5.08mm with coding 32-pole</p>				<p>Doc-Key / ECM-Nr. 100184595/UGD/055/B 500000114739</p>	
<p>Type TB</p>		<p>Number 0904632X921</p>		<p>Rev. B</p>	<p>Page 1/1</p>