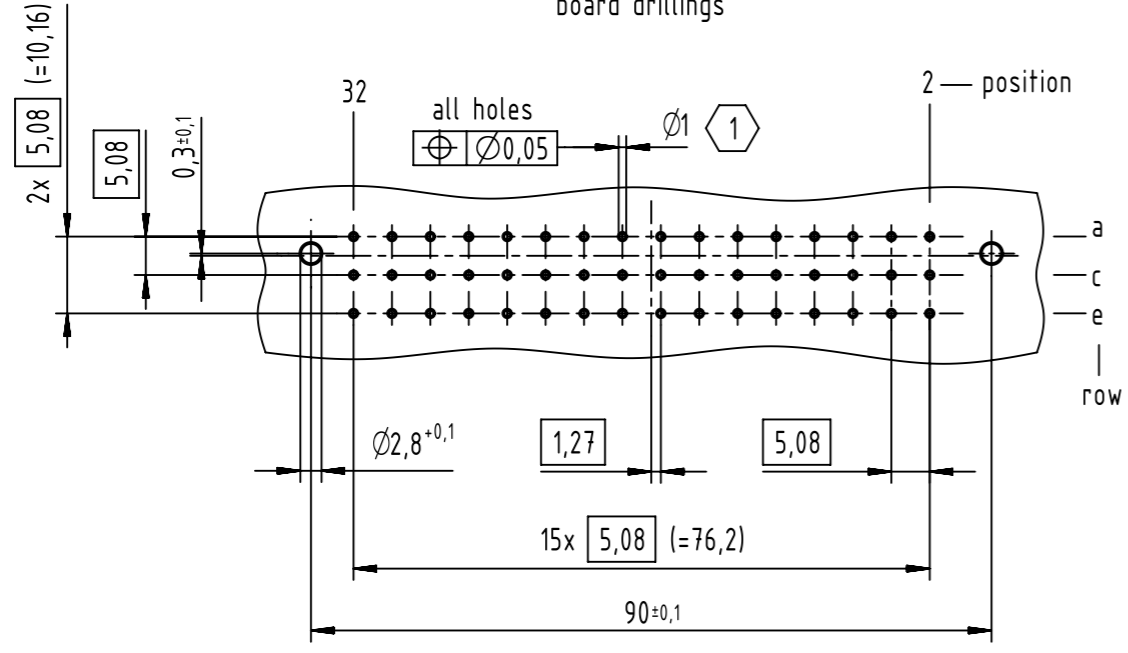


1 2 3 4 5 6 7 8

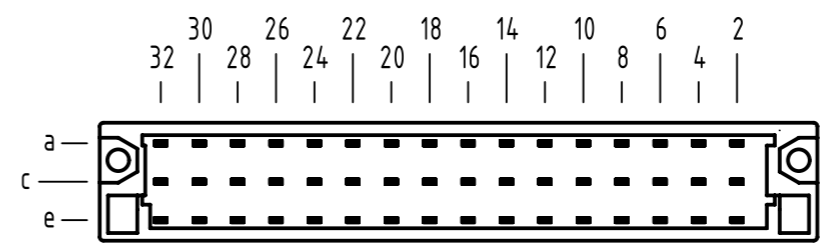
A  
B  
C  
D  
E  
F

A  
B  
C  
D  
E  
F

**A**  
board drillings



**A**  
contact arrangement

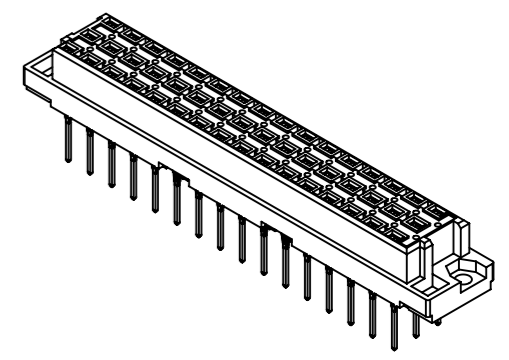
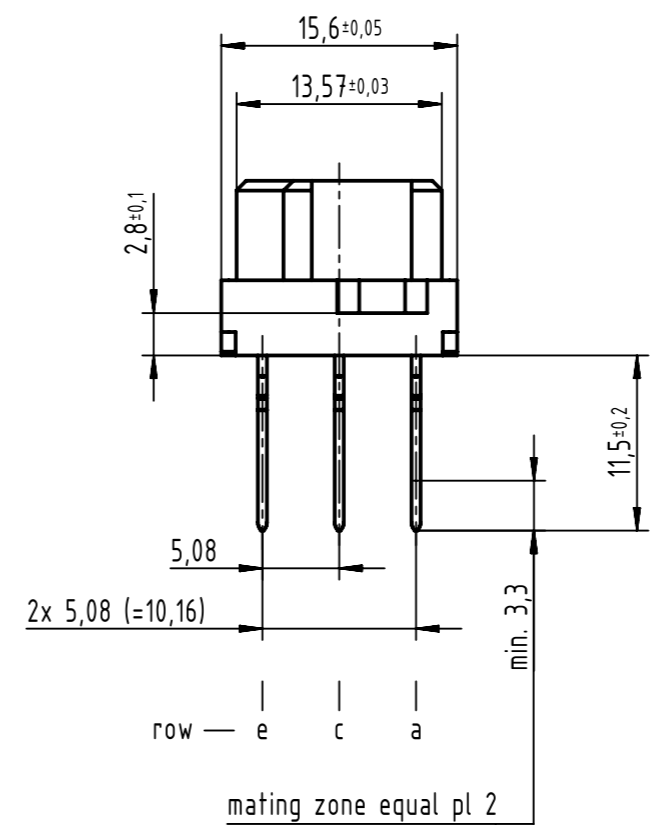


48 press-in contacts

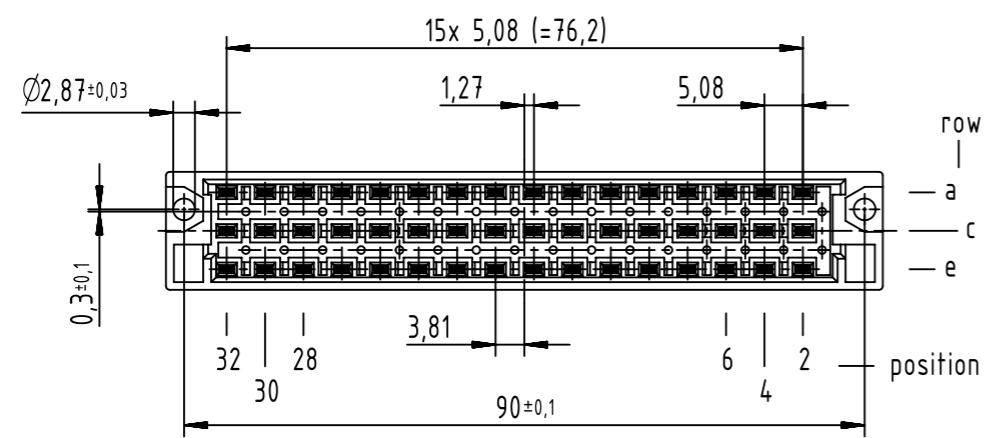
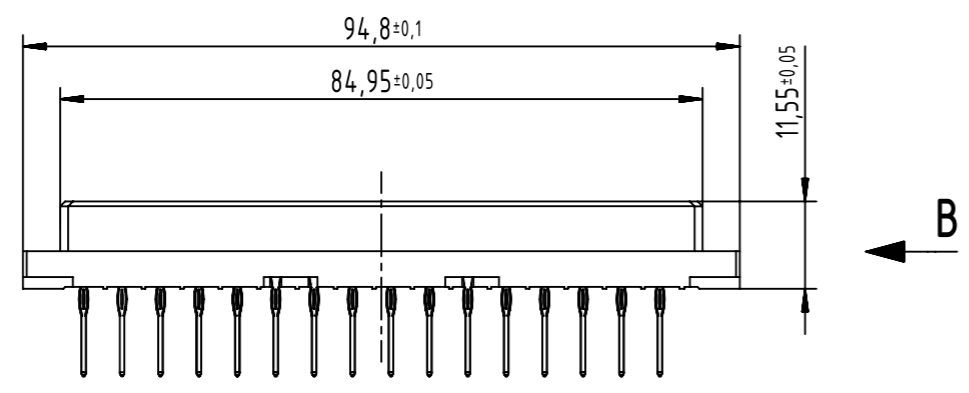
■ = position with contact

□ = position without contact

**B (2:1)**



**A**



1 recommended configuration of plated through holes and further information see: DS 09052100101

09 05 248 5851 015	Au30
09 05 248 6851	2
09 05 248 2851	1
part no.	performance level 1

All Dimensions in mm Original Size DIN A3		Scale 1:1	Free size tol. IEC 60603-2		Ref. Sub.
All rights reserved Department EL PD	Created by STORCK	Inspected by LEHNERT	Standardisation HOFFMANN	Date 2019-06-21	State Final Release
	Title DIN Power type E female press-in 11.5 48-pole				Doc-Key / ECM-Nr. 100170325/UGD/005/C 500000153969
HARTING Electronics GmbH D-32339 Espelkamp		Type TB	Number 0905248X851		Rev. C Page 1/1

1 2 3 4 5 6 7 8