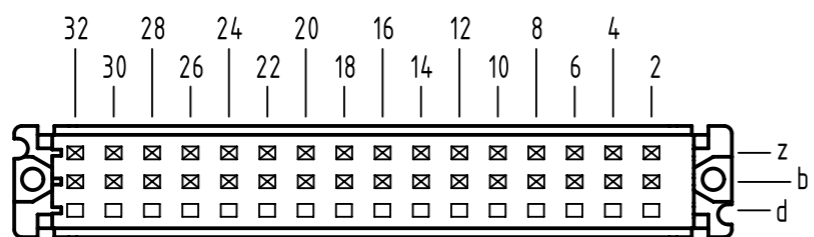


A
contact arrangement

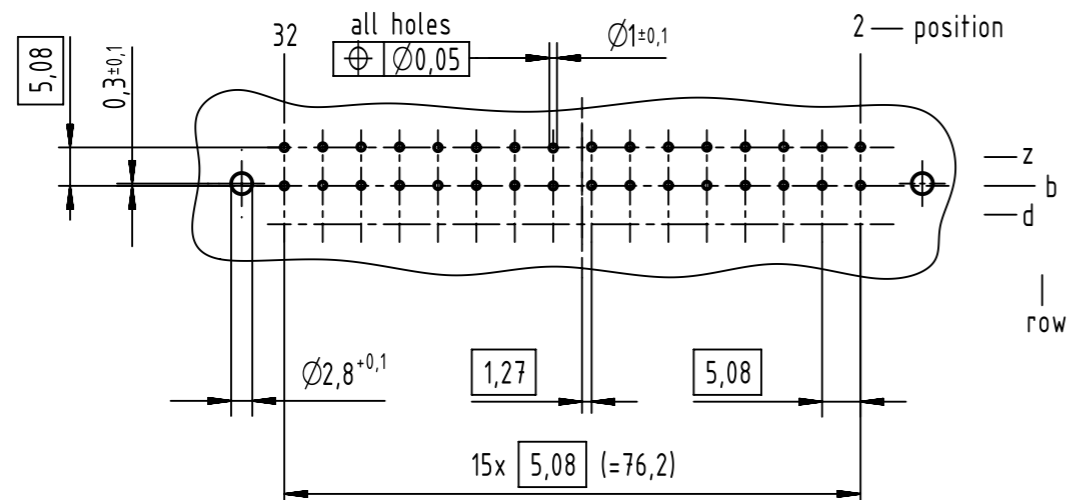


32 solder-contacts

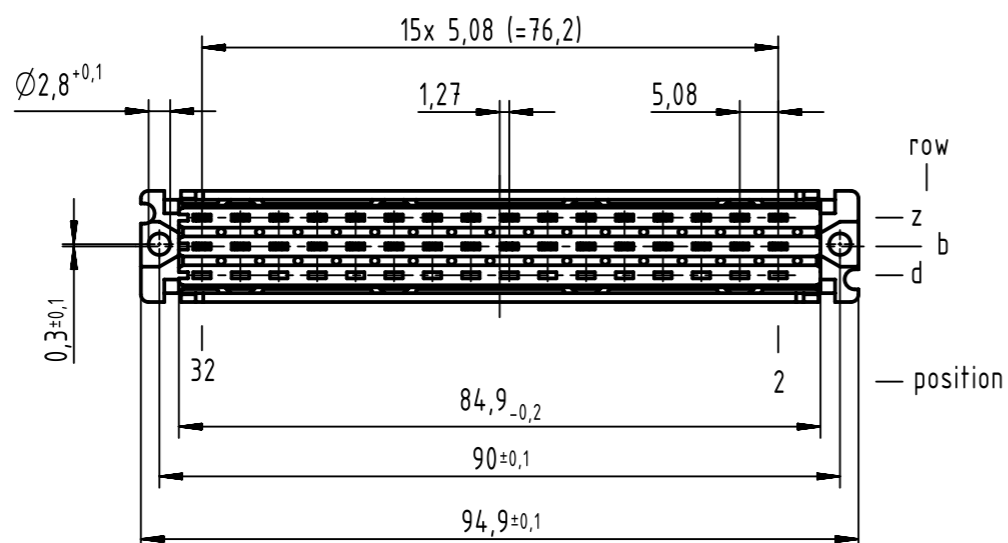
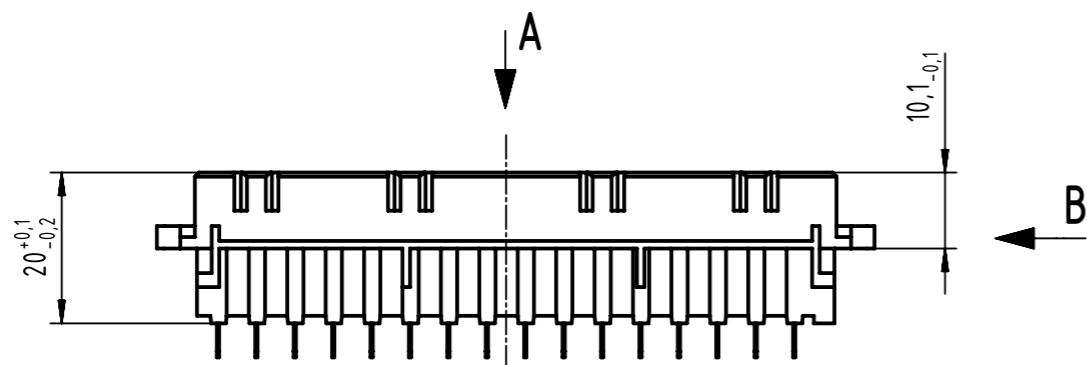
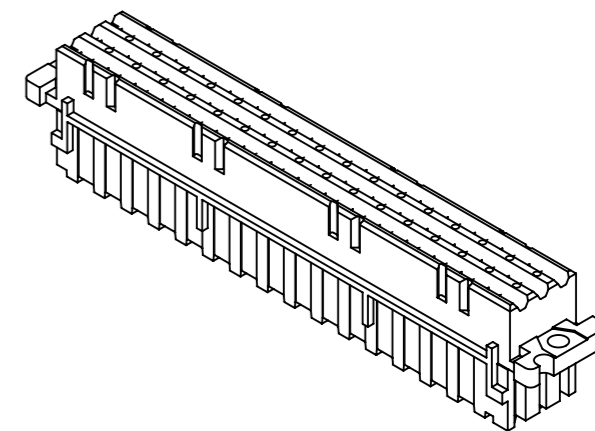
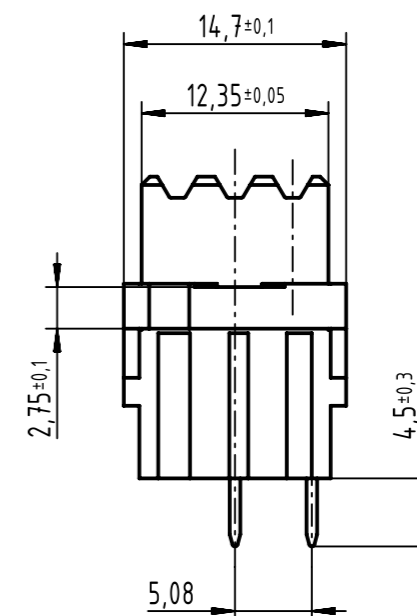
⊗ = solder-contact

□ = position without contact

A
board drillings



B (2:1)



1 further information see: DS 09062100001

09 06 232 6835	2
09 06 232 2835	1
part-no.	performance level 1

	All Dimensions in mm Original Size DIN A3	Scale 1:1	Free size tol. IEC 60603-2	Ref.
	All rights reserved Department EL PD	Created by LEHNERT	Inspected by DAHMS	Standardisation HOFFMANN
HARTING Electronics GmbH D-32339 Espelkamp	Title DIN Power type F female solder 4.5 32-pole			Doc-Key / ECM-Nr. 100072612/UGD/003/C 500000136362
	Type TB	Number 0906232X835	Rev. C	Page 1/1