



DIN Power Shroud type F



General information

Design	complementary to IEC 60603-2	type: for F female low profile
No. of contacts	max. 48	
Contact spacing	5,08mm / 3,81mm	
Insulation resistance	min. 10 ¹⁰ Ohm	
Working current	15A at 20°C (see derating diagram)	
Temperature range	-55°C ... +125°C	
Termination technology	press-on	
Clearance	min. 1,6mm	
Creepage	min. 3,0mm	
Press-on force	approx. 1500N for 48 contacts	
UL file	E102079	
RoHS - compliant	Yes	

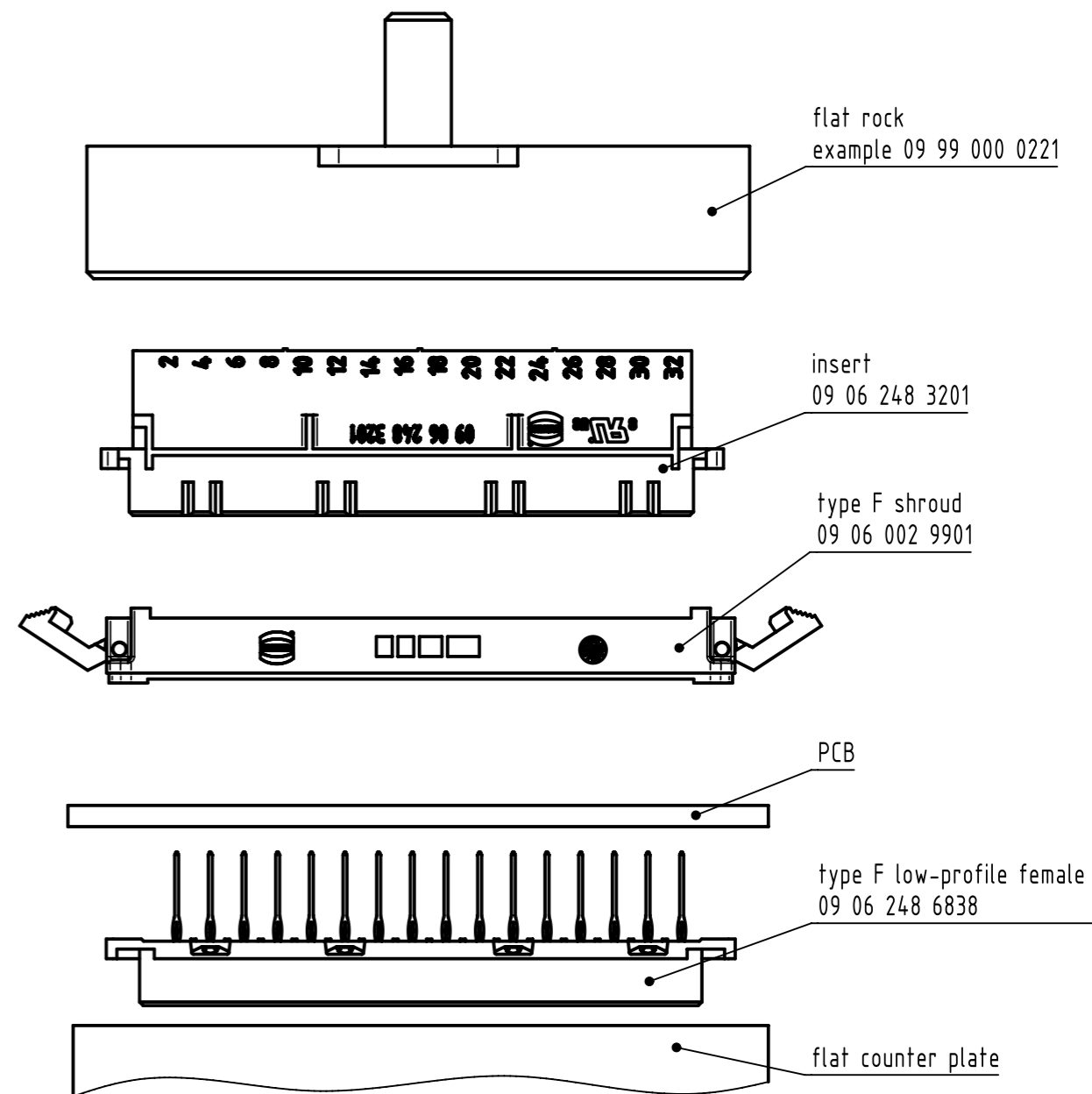
Insulator material

Material	PC (thermoplastics, glass fiber reinforcement 20%)
Color	RAL 7032 (grey)
UL classification	UL 94-V0
Material group acc. IEC 60664-1	IIIa (175 ≤ CTI < 400)
NFF classification	I2, F1

Assembly instructions

After the type F low profile connector is pressed in the pcb, the shroud can be pressed over the long pins of a type F low profile female connector. By using the article with p/n 09 06 248 3201 as insert block, a simple flat rock die can be used for pressing the shroud over the pins from the rear side.

To avoid that the type F low profile female connector is pressed out again, on the connectorside a flat baseplate should touch the complete moulding to take the counterforce. Just two parallel flat stamps and the insert (p/n 09 06 248 3201) are necessary to press the shroud over the pins. Details see the enclosed drawing. Important for a correct pressin process is the right polarization of the insert according to the drawing!



	All Dimensions in mm Original Size DIN A3	Scale 1:1	Free size tol.	Ref.	
				Sub.	
	All rights reserved Department EC PD - DE	Created by HAGEMEYERE	Inspected by ZWAHR	Standardisation HOFFMANN	Date 2014-08-21
					State Final Release
HARTING Electronics GmbH D-32339 Espelkamp		Title DIN Power Shroud type F			Doc-Key / ECM-Nr. 100561345/UGD/001/A 50000069862
		Type DS	Number 09064100001	Rev. A	Page 1/1