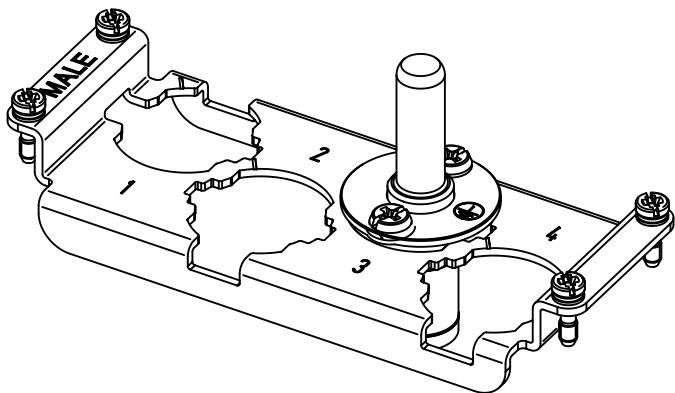


assembly notes see catalog
 crimp zone acc. to DIN EN 46235 indicator 12
 for stranded fine wire acc. to VDE 0295 class5/ IEC 60228 class 5
 wire gauge: 35mm²
 stripping length: 20mm



	All Dimensions in mm Original Size DIN A4		Scale 2:1	Free size tol.		Ref.
						Sub.
	All rights reserved		Created by SCHULZI	Inspected by SCHNIEDER	Standardisation SCHMIDTM	Date 2015-01-27
	Department EL PD					State Final Release
HARTING Electric GmbH & Co. KG D-32339 Espelkamp			Title Han TC250 PE male contact 35mm ²			Doc-Key / ECM-Nr. 100206432/UGD/004/A 500000082399
			Type TB	Number 09 11 000 6104		Rev. A Page 1/1