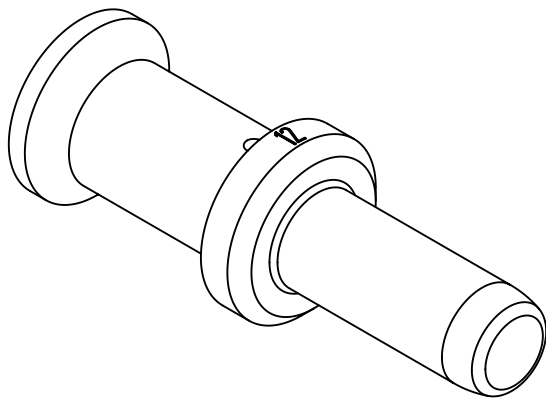
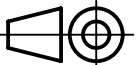



assembly notes see catalog  
 crimp zone acc. to DIN EN 46235; indicator 12  
 for stranded fine wire acc. to VDE 0295 class5/ IEC 60228 class 5  
 wire gauge: 35mm<sup>2</sup>  
 stripping length: 22mm



 All Dimensions in mm Original Size DIN A4	Scale	Free size tol.		Ref.	
	2:1			Sub.	
 All rights reserved Department EL PD	Created by	Inspected by	Standardisation	Date	State
	SCHULZI	SCHNIEDER	SCHMIDTM	2015-01-27	Final Release
HARTING Electric GmbH & Co. KG D-32339 Espelkamp	Title			Doc-Key / ECM-Nr.	
	Han TC250 male contact 35mm <sup>2</sup>			100184720/UGD/005/B 500000082399	
Type		Number		Rev.	Page
TB		09 11 000 6127		B	1/1