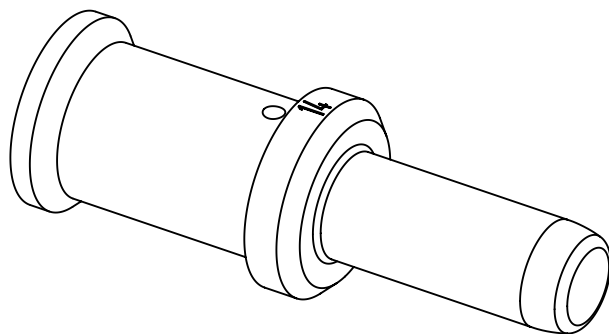


assembly notes see catalog
 crimp zone acc. to DIN EN 46235; indicator 14
 for stranded fine wire acc. to VDE 0295 class 5/ IEC 60228 class 5
 wire gauge: 50mm²
 stripping length: 22mm



	All Dimensions in mm Original Size DIN A4	Scale	Free size tol.		Ref.	
		2:1			Sub.	
	All rights reserved Department EL PD	Created by	Inspected by	Standardisation	Date	State
		SCHULZI	SCHNIEDER	SCHMIDTM	2015-01-27	Final Release
HARTING Electric GmbH & Co. KG D-32339 Espelkamp		Title Han TC250 male contact 50mm ²				Doc-Key / ECM-Nr. 100184723/UGD/006/A 500000082399
		Type	Number		Rev.	Page
		TB	09 11 000 6128		A	1/1