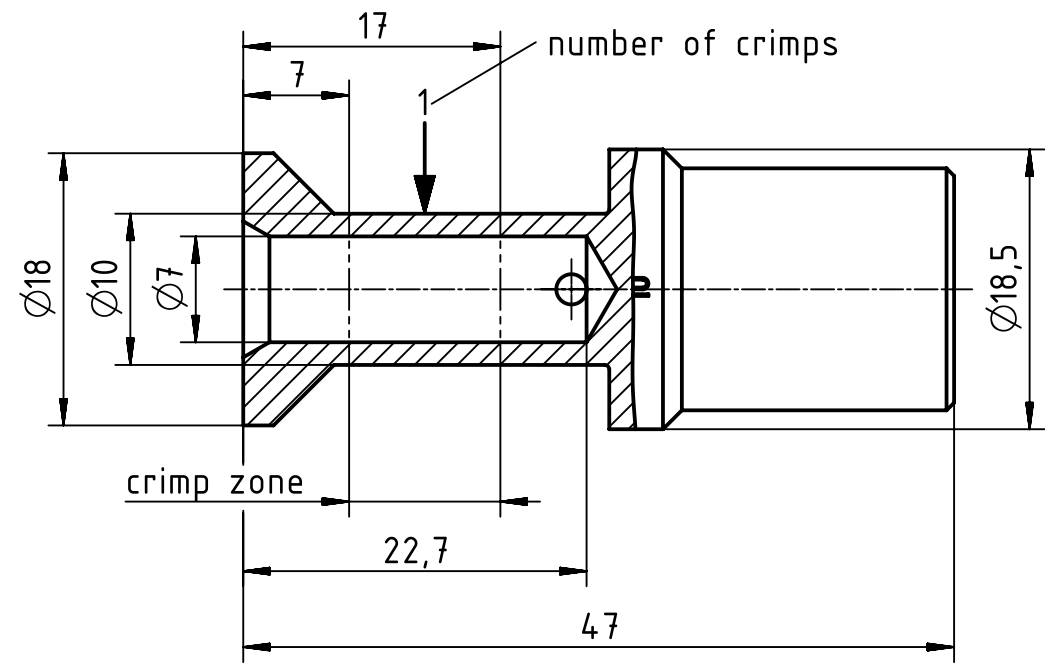


A

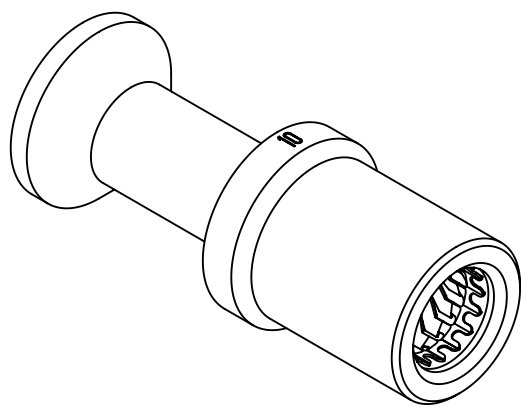
B


C

D



assembly notes see catalog
 crimp zone acc. to DIN EN 46235; indicator 10
 for stranded fine wire acc. to VDE 0295 class 5/IEC 60228 class 5
 wire gauge: 25mm^2
 stripping length: 22mm



 All rights reserved Department EL PD - DE HARTING Electric GmbH & Co. KG D-32339 Espelkamp	All Dimensions in mm Original Size DIN A4	Scale 2:1	Free size tol.	Ref. Sub.
	Created by FINKEV	Inspected by SCHNIEDER	Standardisation SCHMIDTM	Date 2015-01-19
Title Han TC250 female contact 25mm^2				Doc-Key / ECM-Nr. 100232830/UGD/001/C 500000083632
Type TB		Number 09 11 000 6226		Rev. C
				Page 1/1