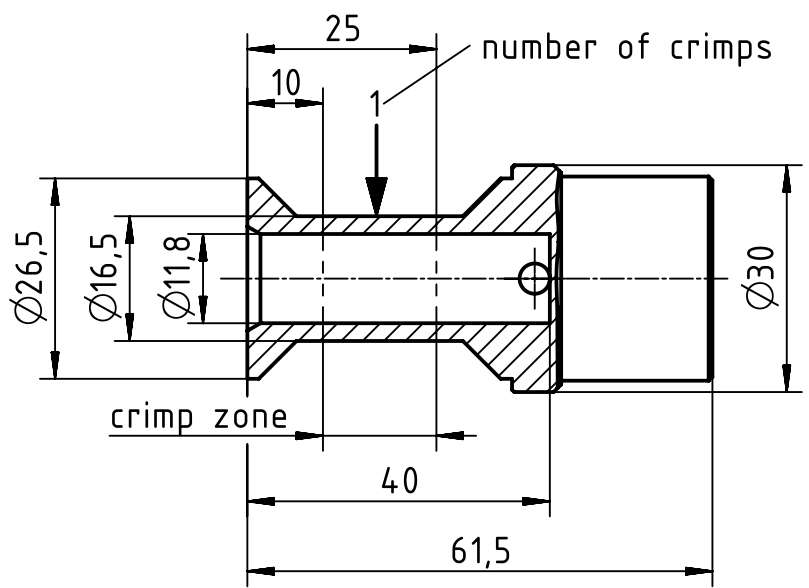


A

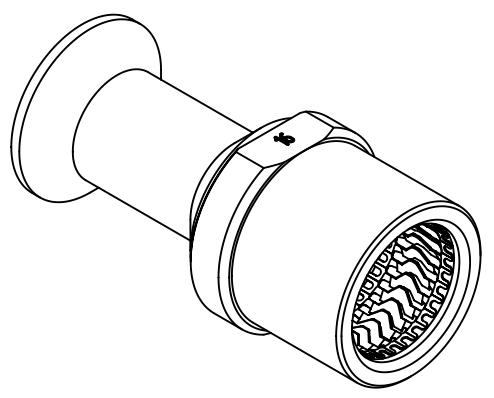
B

C

D



assembly notes see catalog
 crimp zone acc. to DIN EN 46235 indicator 16
 for stranded fine wire acc. to VDE 0295 class5/ IEC 60228 class 5
 wire gauge: 70mm²
 stripping length: 42mm



	All Dimensions in mm Original Size DIN A4	Scale 1:1		Free size tol.		Ref.	
						Sub.	
	All rights reserved Department EL PD	Created by SPRENB	Inspected by NICHTERLEIN	Standardisation RUETERA	Date 2018-09-25	State Final Release	
		Title Han TC650 female contact 70mm ²					Doc-Key / ECM-Nr. 100215982/UGD/003/D 50000014.0366
HARTING Electric GmbH & Co. KG D-32339 Espelkamp		Type TB	Number 09 11 000 6261			Rev. D	Page 1/1