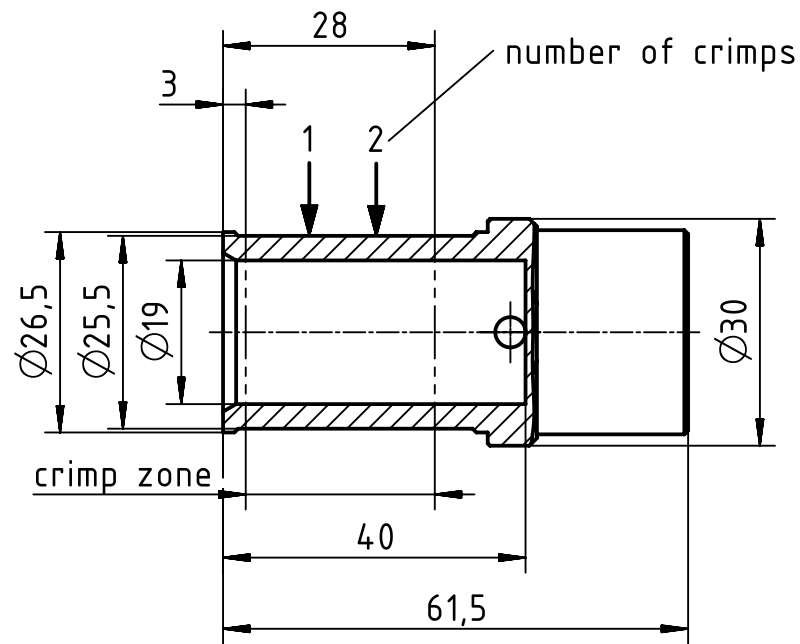


A

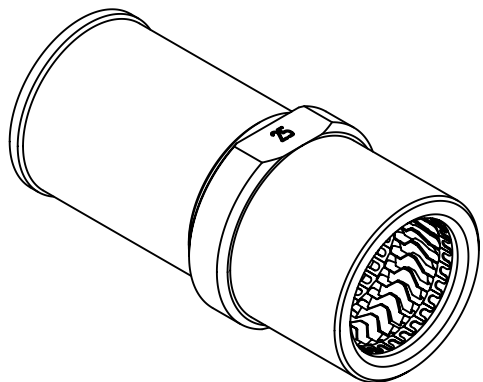
B


C

D



assembly notes see catalogue
 crimp zone acc. to DIN EN 46235 indicator 25
 for stranded fine wire acc. to VDE 0295 class 5/ IEC 60228 class 5
 wire gauge: 185mm²
 stripping length: 42mm



	All rights reserved Department EL PD	All Dimensions in mm Original Size DIN A4		Scale 1:1	Free size tol.		Ref.
		HARTING Electric GmbH & Co. KG D-32339 Espelkamp		Created by SPREENB	Inspected by NICHTERLEIN	Standardisation RUETERA	Date 2018-09-25
Title Han TC650 female contact 185mm ²							Doc-Key / ECM-Nr. 100217946/UGD/003/E 50000014.0366
Type TB			Number 09 11 000 6265			Rev. E	Page 1/1