

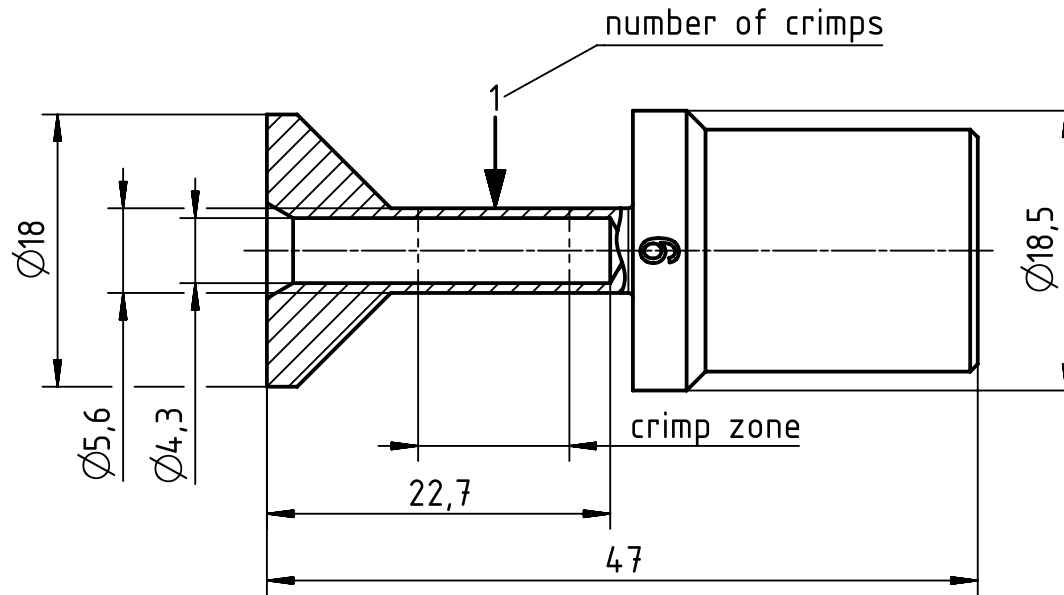
1 2 3 4 5 6

A

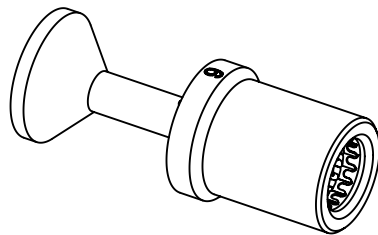
B

C

D



assembly notes see catalog
 crimp zone acc. to DIN EN 46235; indicator 6
 for stranded fine wire acc. to VDE 0295 class5/ IEC 60228 class 5
 wire gauge: 10mm²
 stripping length: 22mm



	All Dimensions in mm Original Size DIN A4	Scale	Free size tol.			Ref.
		2:1				Sub.
	All rights reserved Department EL PD	Created by	Inspected by	Standardisation	Date	State
		SPREENB	NICHTERLEIN	RUETERA	2018-09-25	Final Release
HARTING Electric GmbH & Co. KG D-32339 Espelkamp		Title Han TC250 female contact 10mm ²				Doc-Key / ECM-Nr. 100625324/UGD/001/B 50000014.0366
		Type	Number			Rev.
		TB	09 11 000 6284			B 1/1