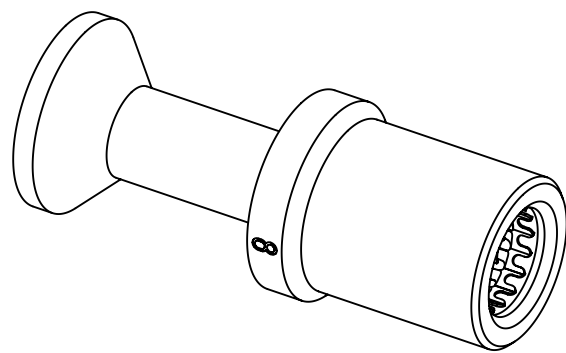



assembly notes see catalog
 crimp zone acc. to DIN EN 46235; indicator 8
 for stranded fine wire acc. to VDE 0295 class 5/IEC 60228 class 5
 wire gauge: 16mm²
 stripping length: 22mm



| | | | | | | | | |
|---|--|---|-----------------------|-----------------------------|-----------------------------|--------------------|--|-------------|
|  | All rights reserved Department EL PD - DE | All Dimensions in mm Original Size DIN A4 | | Scale 2:1 | Free size tol. | | Ref. | |
| | | HARTING Electric GmbH & Co. KG D-32339 Espelkamp | Created by HOLLERT | Inspected by SUNDERMEIER | Standardisation TIEMANNA | Date 2015-09-29 | State Final Release | Sub. |
| Title Han TC250 female contact 16mm ² | | | | | | | Doc-Key / ECM-Nr. 100641737/UGD/002/A 500000094851 | |
| Type TB | | | | Number 09 11 000 6285 | | | Rev. A | Page 1/1 |