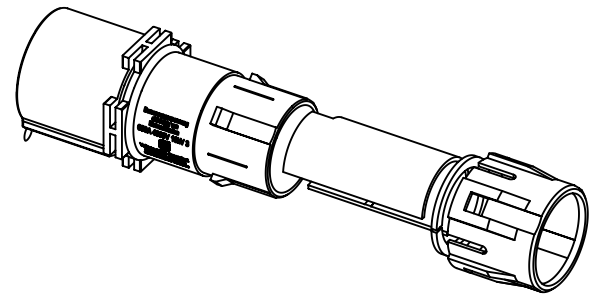


Bemessungsspannung
abhängig von
Einbausituation
650A 4000V 18kV 3
Voltage rating dependent
on installed creepage
and clearance distance



	All Dimensions in mm Original Size DIN A4		Scale 1:1	Free size tol.		Ref.
						Sub.
	All rights reserved		Created by ILJIN	Inspected by BEISCHER	Standardisation SCHMIDTM	Date 2016-05-10
	Department EL PD - DE		Title Han 1 HC-M-TC650		State Final Release	
HARTING Electric GmbH & Co. KG D-32339 Espelkamp			Type TB	Number 09 11 001 3012		Doc-Key / ECM-Nr. 100503237/UGD/002/B 500000104231
					Rev. B	Page 1/1