

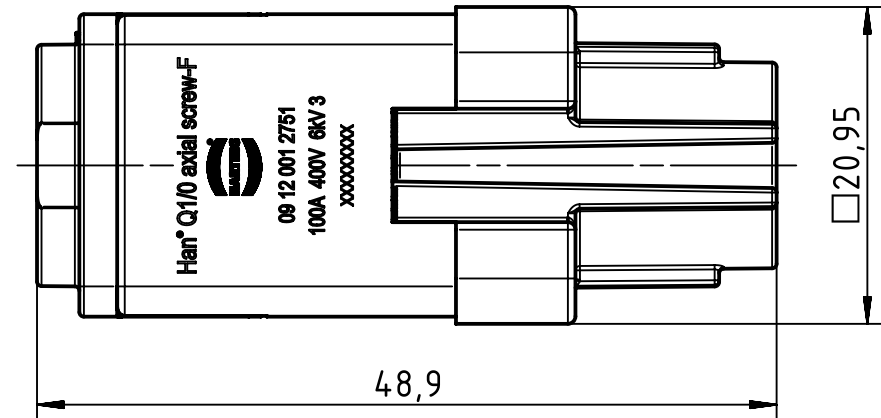
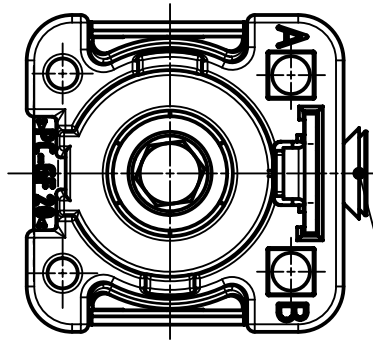
1 2 3 4 5 6

A

B

C

D



insert fixing screw M3x6
enclosed separately

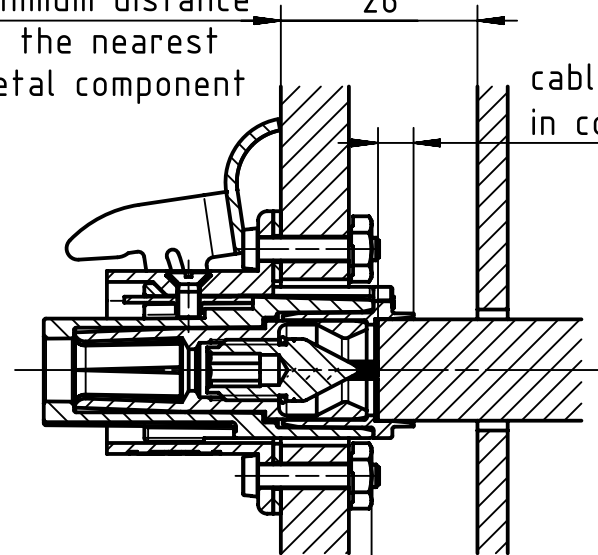
1:1

For installation into a housing bulkhead mounting

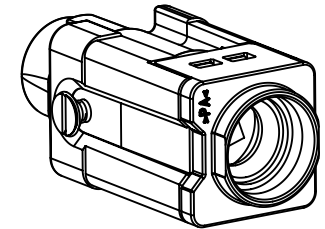
Minimum distance
to the nearest
metal component

26

cable insulation insert
in connector min. 4,7




max. cable outer diameter 13,4mm
wire gauge: 16-25mm²
stripping length: 10mm



Contact the technical support for more questions

Maximum wall
thickness (incl.
fastening elements)
for female insert

12

	All Dimensions in mm Original Size DIN A4		Scale 2:1	Free size tol.		Ref.
	All rights reserved Department EL PD - DE		Created by STICKFORTH	Inspected by LOETKEMANN	Standardisation TIEMANNA	Sub.
HARTING Electric GmbH & Co. KG D-32339 Espelkamp		Title Han Q1/0-F-axial screw			Date 2017-01-27	State Final Release
		Type TB	Number 09 12 001 2751		Doc-Key / ECM-Nr. 100639699/UGD/001/D 500000112035	Rev. D Page 1/1