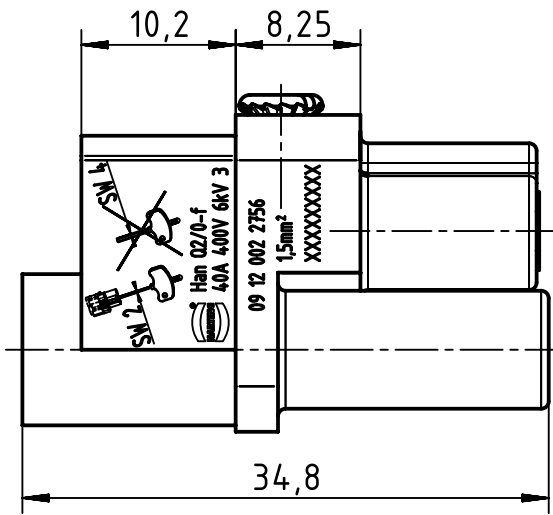
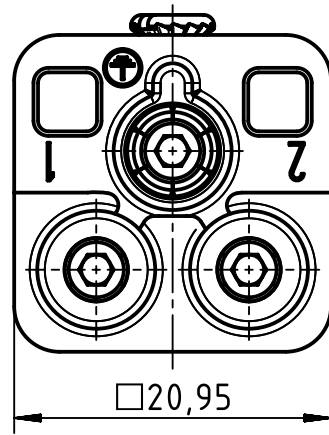


A

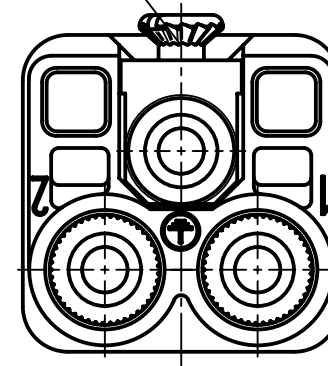
B

C

D

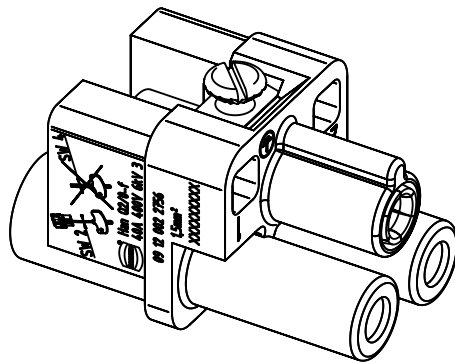
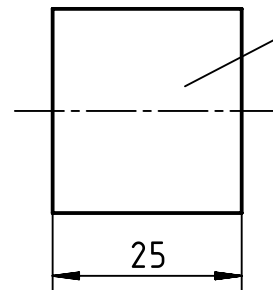


insert fixing screw M3x6 enclosed separately



1:1

shrinking tube enclosed separately



	All Dimensions in mm Original Size DIN A4		Scale 2:1	Free size tol.		Ref.
						Sub.
	All rights reserved		Created by HOLLERT	Inspected by SUNDERMEIER	Standardisation TIEMANNA	Date 2014-07-17
	Department EL PD - DE		Title Han Q2/0-f 1.5sqmm with shrinking tube			State Final Release
HARTING Electric GmbH & Co. KG D-32339 Espelkamp			Type TB	Number 09 12 002 2756		Doc-Key / ECM-Nr. 100585452/UGD/002/A 500000074358
					Rev. A	Page 1/1