

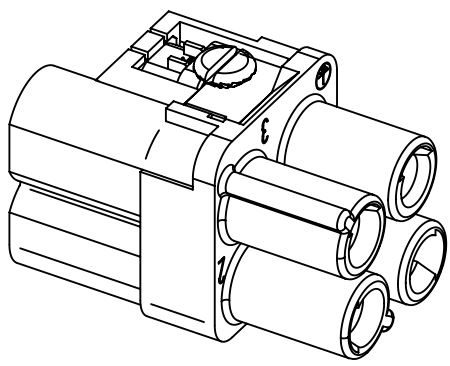
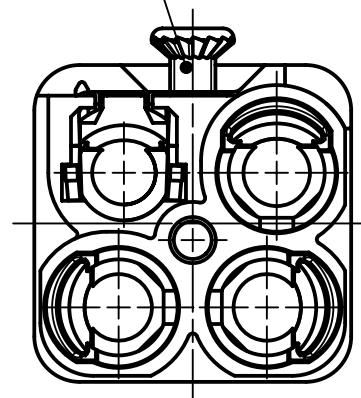
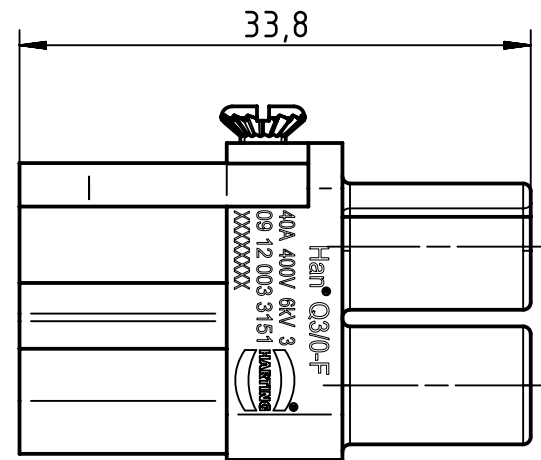
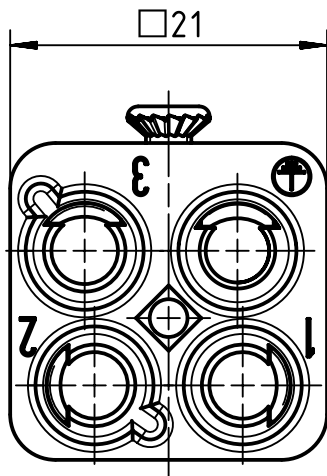
A

B


C

D

Insert fixing screw
separately enclosed



stripping length 10 mm² (AWG 8) = 12 mm

	All Dimensions in mm Original Size DIN A4		Scale 2:1	Free size tol.		Ref.	
	All rights reserved Department EL PD		Created by HELLMANN	Inspected by RIEPE	Standardisation RUETERA	Date 2019-04-18	State Final Release
HARTING Electric GmbH & Co. KG D-32339 Espelkamp			Title Han Q3/0 -F- Crimp			Doc-Key / ECM-Nr. 100221449/UGD/002/E 500000150131	
			Type TB	Number 09 12 003 3151		Rev. E	Page 1/1